

# OWNER'S MANUAL



Original instructions

EN


MFS 75A  
MFS 90A  
MFS 100A  
MFS 115A  
MFS 140A

OB No.003-11159-6BD1



TOHATSU CORPORATION

ENOM00001-0

 **READ THIS MANUAL BEFORE USING THE OUTBOARD MOTOR. FAILURE TO FOLLOW THE INSTRUCTIONS AND SAFETY PRECAUTIONS IN THIS MANUAL CAN RESULT IN SERIOUS INJURY OR DEATH. KEEP THIS MANUAL IN A SAFE LOCATION FOR FUTURE REFERENCE.**

Copyright © 2024 Tohatsu Corporation. All rights reserved. No part of this manual may be reproduced or transmitted in any form or by any means without the express written permission of Tohatsu Corporation.

# YOUR TOHATSU OUTBOARD MOTOR

ENOM00006-2

## **To You, Our Customer**

Congratulations on your purchase of the TOHATSU outboard motor. You are now the proud owner of an excellent outboard motor that will serve you for many years to come. This owner's manual contains important safety, operational and maintenance information.

The efficiency and longevity of your outboard motor will depend heavily on your operating methods and periodic maintenance. Failure to operate and maintain your outboard motor according to the instruction in this owner's manual may void the limited warranty, as well as reduce the efficiency and reliability of the outboard motor.

Any person operating TOHATSU outboard motor must carefully read and fully understand the entire contents of this manual prior to operation. For safety, follow all safety warnings contained within the owner's manual and the labels applied to your outboard motor. You should keep this owner's manual where accessible while operating your outboard motor. If the outboard motor is resold, make sure the manual is passed on to the next owner. In case you encounter any problems, please contact an authorized TOHATSU service shop or dealer for assistance.

Tohatsu Corporation reserves the right to change, modify, add, or remove a part or whole of the owner's manual without prior notice and incurring any obligations.

We are excited to take a part in your boating adventures and wish for your great and safe boating experience.

**TOHATSU CORPORATION**

ENOM00113-1

## **DECLARATION OF CONFORMITY (DoC)**

This product conforms to certain portion of the EU-Directives and UK-Regulations. The DoC contains the following information:

- Name and address of the manufacturer, EU-Notified body, EU-Authorised representative and UK-Approved body.
- Applied directives and regulations.
- Reference standards.
- Product description (Model name and serial number).
- Signature of responsible person (name/title/date and place of issue).

ENOM00002-0

**OWNER REGISTRATION AND IDENTIFICATION**

Upon purchasing this product, be sure that the WARRANTY CARD is correctly and completely filled out and mailed to the addressee noted there on. This WARRANTY CARD identifies you as the legal owner of the product and serves as your warranty registration.

TO THE EXTENT PERMITTED BY APPLICABLE LAW, YOUR OUTBOARD MOTOR WILL NOT BE COVERED BY THE APPLICABLE LIMITED WARRANTY, IF THIS PROCEDURE IS NOT FOLLOWED.

ENOM00003-1

**PRE-DELIVERY INSPECTION**

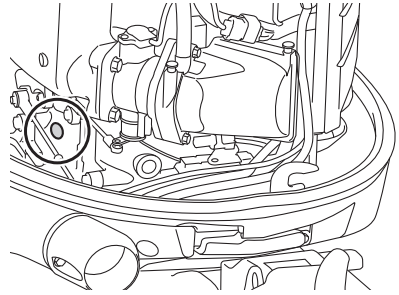
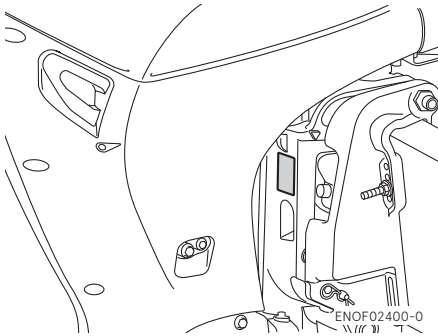
Make sure Pre-delivery inspection has been properly done by authorized TOHATSU dealer before operating your outboard motor.

ENOM00005-1

### Serial Number

Your outboard motor has a unique serial number. The serial number is identification of outboard motor and is located on the outboard motor as shown in the figures below. The serial number is required for warranty registration, filing a warranty claim as well as making technical inquiries and may be required for other occasions. Therefore, please write down the serial number and date of purchase in the space below.

#### Serial Number:



Serial Number:

Date of purchase:

---

ENOM00007-0

**NOTICE: DANGER/WARNING/CAUTION/Note**

Before installing, operating or otherwise handling your outboard motor, be sure to thoroughly read and understand this Owner's Manual and carefully follow all of the instructions. Of particular importance is information preceded by the words "DANGER," "WARNING," "CAUTION," and "Note." Always pay special attention to such information to ensure safe operation of the outboard motor at all times.

ENOW00001-0

 **DANGER**

---

**Failure to observe will result in severe personal injury or death, and possibly property damage.**

---

ENOW00002-0

 **WARNING**

---

**Failure to observe could result in severe personal injury or death, or property damage.**

---

ENOW00003-0

 **CAUTION**

---

**Failure to observe could result in personal injury or property damage.**

---

ENON00001-0

**Note**

---

This instruction provides special information to facilitate the use or maintenance of the outboard motor or to clarify important points.

---

# CONTENTS

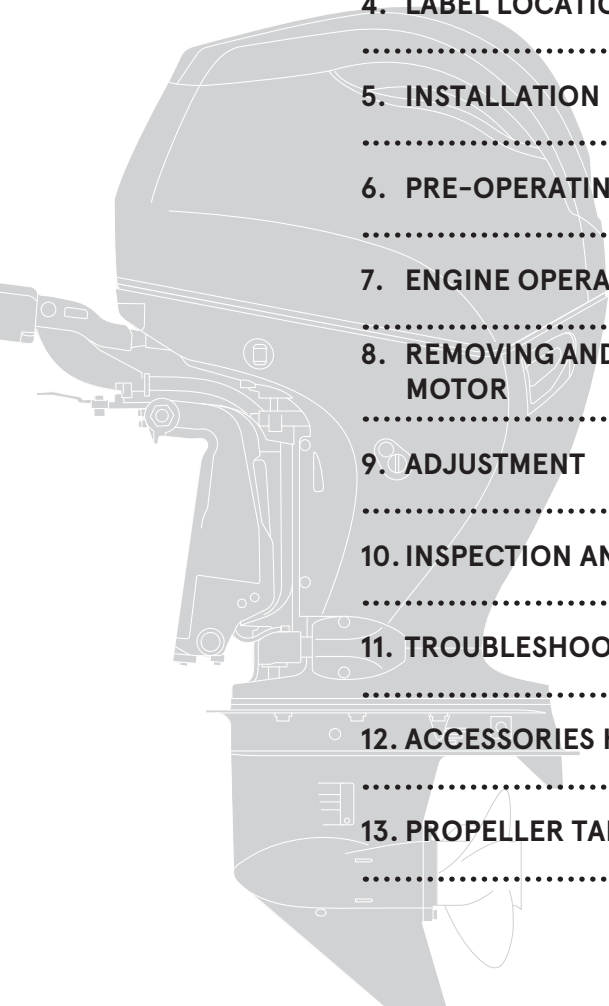
1. GENERAL SAFETY INFORMATION . . . . .	10
2. SPECIFICATIONS . . . . .	12
3. PARTS NAME . . . . .	15
4. LABEL LOCATIONS . . . . .	17
5. INSTALLATION . . . . .	21
1. Mounting the outboard motor on boat . . . . .	21
2. Battery installation . . . . .	22
3. Propeller installation . . . . .	24
4. TOCS (Tohatsu Onboard Communication System) installation . . . . .	25
6. PRE-OPERATING PREPARATIONS . . . . .	26
1. Fuel handling . . . . .	26
2. Fuel filling . . . . .	27
3. Engine oil filling . . . . .	28
4. Break-In . . . . .	30
5. Warning system . . . . .	31
7. ENGINE OPERATION . . . . .	37
Before starting . . . . .	37
1. Fuel feeding . . . . .	38
2. Starting the engine . . . . .	43
3. Warming up the engine . . . . .	45
4. Forward, reverse, and acceleration . . . . .	45
5. Stopping the engine . . . . .	48
6. Steering . . . . .	51
7. Trim angle . . . . .	51
8. Tilt up and down . . . . .	54
9. Shallow water operation . . . . .	56
8. REMOVING AND CARRYING THE OUTBOARD MOTOR . . . . .	57
1. Removing the outboard motor . . . . .	57
2. Carrying the outboard motor . . . . .	57
3. Trailering . . . . .	58
9. ADJUSTMENT . . . . .	60
1. Steering friction . . . . .	60
2. Throttle grip friction . . . . .	60
3. Remote control lever friction . . . . .	60
4. Trim tab adjustment . . . . .	61
5. Multi-function tiller handle angle adjustment . . . . .	62
10. INSPECTION AND MAINTENANCE . . . . .	63
1. Daily Inspection . . . . .	64
2. Periodic Inspection . . . . .	70
3. Off-season storage . . . . .	85
4. Pre-season check . . . . .	87
5. Submerged outboard motor . . . . .	88
6. Cold weather precautions . . . . .	88

7. Striking underwater object . . . . .	88
8. Operation with multiple outboard motors . . . . .	88
11. TROUBLESHOOTING . . . . .	89
12. ACCESSORIES KIT . . . . .	92
13. PROPELLER TABLE . . . . .	93



# INDEX

<b>1. GENERAL SAFETY INFORMATION</b>	<b>1</b>
.....	
<b>2. SPECIFICATIONS</b>	<b>2</b>
.....	
<b>3. PARTS NAME</b>	<b>3</b>
.....	
<b>4. LABEL LOCATIONS</b>	<b>4</b>
.....	
<b>5. INSTALLATION</b>	<b>5</b>
.....	
<b>6. PRE-OPERATING PREPARATIONS</b>	<b>6</b>
.....	
<b>7. ENGINE OPERATION</b>	<b>7</b>
.....	
<b>8. REMOVING AND CARRYING THE OUTBOARD MOTOR</b>	<b>8</b>
.....	
<b>9. ADJUSTMENT</b>	<b>9</b>
.....	
<b>10. INSPECTION AND MAINTENANCE</b>	<b>10</b>
.....	
<b>11. TROUBLESHOOTING</b>	<b>11</b>
.....	
<b>12. ACCESSORIES KIT</b>	<b>12</b>
.....	
<b>13. PROPELLER TABLE</b>	<b>13</b>
.....	



# GENERAL SAFETY INFORMATION

## 1

ENOM00009-1

### SAFE OPERATION OF BOAT

As the operator/driver of a boat, you are responsible for the safety of those aboard and those in other boats around yours, and for following local boating regulations. You should be thoroughly knowledgeable on how to correctly operate the boat, outboard motor, and accessories. To learn about the correct operation and maintenance of the outboard motor, please read through this manual carefully.

It is very difficult for a person in the water to take evasive action should he or she see a power boat heading in his/her direction, even at a slow speed.

Therefore, when your boat is in the immediate vicinity of people in the water, the outboard motor must be shifted to neutral and shut off.

ENOW00005-0

### WARNING

**SERIOUS INJURY IS LIKELY IF A PERSON IN THE WATER MAKES CONTACT WITH A MOVING BOAT, GEAR HOUSING, PROPELLER, OR ANY SOLID DEVICE RIGIDLY ATTACHED TO A BOAT OR GEAR HOUSING.**

ENOM00247-1

### STOP SWITCH LANYARD

The engine can be stopped by pulling out the stop switch lock from the stop switch. The stop switch lanyard is the coiled red cord with the stop switch lock on one end and a metal clip on the other end. With attaching the stop switch lanyard to the operator's body part or operator's personal flotation device (PFD), the engine will stop when the stop switch lanyard is being stretched and pulled out the lock from the switch if the operator accidentally falls overboard or leaves from operator's position. This function may prevent losing control of the boat and minimize or prevent risk of collision with other boats, people and other objects. It is operator's responsibility to use the stop switch lanyard.

ENOW00004-1

### WARNING

**Accidental activation of the Stop Switch (such as the tether being pulled out in heavy seas) could cause passengers to lose their balance and even fall overboard, or it could result in loss of power in heavy seas, strong currents, or high winds. Loss of control while mooring is another potential hazard.**

**To minimize accidental activation of the Stop Switch, the 500 mm (20 inch.) stop switch lanyard is coiled and can be extended to a full 1300 mm (51 inch.).**

ENOM00800-A

### PERSONAL FLOTATION DEVICE

As the operator/driver and passenger of a boat, you are responsible to wear a PFD (Personal Flotation Device) while on the boat.

ENOM00010-1

## **SERVICING, REPLACEMENT PARTS & LUBRICANTS**

We recommend that only an authorized service shop perform service or maintenance on your outboard motor. Be sure to use genuine parts, genuine lubricants, or recommended lubricants. Be aware that the installation and use of parts not approved by Tohatsu Corporation will void warranty and may lead to unsafe operating conditions.

ENOM00011-1

## **MAINTENANCE**

As the owner of the outboard motor, you should be acquainted with correct maintenance procedures following by maintenance section of this manual (See page 63). It is the operator's responsibility to perform all safety inspections, proper lubrication and to follow all maintenance instructions for safe operation. You should take the engine to an authorized dealer or service shop for periodic inspection at the prescribed intervals. Correct periodic maintenance and proper care of outboard motor will reduce the chance of problems, limit overall operating expenses and contribute to longevity of your outboard motor.

### **Carbon Monoxide Poisoning Hazard**

Exhaust gas contains carbon monoxide, a colorless and odorless gas which can be fatal if inhaled for any length of time.

Never start or operate the engine indoors or in any space which is not well ventilated.

### **Gasoline**

Gasoline and its vapors are very flammable and can be explosive. Use extreme care when handling gasoline. You should be thoroughly knowledgeable on how to correctly handle gasoline by reading this manual.

# SPECIFICATIONS

ENOM00810-A

## MODEL FEATURE

2

Model		F75A	F90A	F100A	F115A	F140A
Type		ET	ET	ET	ET	ET
Transom heights	L	●	●	●	●	●
	UL	●		●	●	●
Multi-function tiller handle		(●)	(●)	(●)	(●)	(●)
Remote Control		(●)	(●)	(●)	(●)	(●)
Power Trim & Tilt		●	●	●	●	●

(●) These models can be purchased with remote rigging kit or multi-function tiller handle.

ENOM00811-A

## MODEL NAME EXAMPLE

F 140A ETL

F	140	A	E	T	L
Model description	Horse power	Product generation	Starter system	Tilt system	Shaft length
F= Four stroke	-	A and up	E= Electrical start	T= Power trim&tilt	L= Long 20 in UL= Ultra long 25 in

ENOM00013-0

**ET**

2

Item		Model	MFS 75/90/100/115/140A	
		ET		
		Remote Control	Multi-function tiller handle	
Overall Length	mm (in)	826 (32.5)		1541 (60.7)
Overall Width	mm (in)	540 (21.3)		
Overall Height	mm (in)	L : 1652 (65.1) UL : 1779 (70.1)		
Transom Height	mm (in)	L : 517 (20.4) UL : 644 (25.4)		
Weight*1	L kg (lb)	178.0 (392)		182.5 (402)
	UL kg (lb)	Standard rotation: 182.5 (402) Counter rotation: 183.5 (404)		187.0 (412)
Engine Type		4 stroke		
Number of Cylinder		4		
Piston Displacement	cm <sup>3</sup> (cu.in.)	1995 (121.6)		
Bore x Stroke	mm (in)	84 × 90 (3.30 × 3.55)		
Max. Output	kW (PS)	55.2 (75) 66.2 (90) 73.6 (100) 84.6 (115) 103.0 (140)		
Max. Operating Range	min <sup>-1</sup> (rpm)	5150 – 5850		
Idle Speed	min <sup>-1</sup> (rpm)	700		
Exhaust System		Through hub exhaust		
Lubrication System		Wet sump (Trochoid pump)		
Cooling System		Water cooling (with thermostat)		
Starting System		Electric starter motor		
Ignition System		Battery ignition		
Alternator		12V - 41A		
Steering Angle	Degree	70		
Trim Angle*2	Degree	-4 - 10		
Trim Position		2		
Tilt Up Angle*2	Degree	63		
Gear Shift		Dog clutch (F-N-R)		
Gear Reduction Ratio		2.08 (25:12)		
Operator Sound Pressure (ICOMIA 39/94 Rev.1) dB (A)		90.4		
Hand Vibration Level (ICOMIA 38/94 Rev.1) m/s <sup>2</sup>		-		3.6

Remark: Specifications subject to change without notice.

\*1: With properller

\*2: Transom angle is at -12°

Tohatsu outboard is power rated in accordance with ISO8665 (propeller shaft output).

## Service data

Item		Model	MFS 75/90/100/115A	MFS 140A
		ET		
Fuel		Unleaded Regular Gasoline : R+M/2: 87 or higher RON: 91 or higher		
Engine Oil	Grade	API: SH, SJ, SL SAE: 10W-30, 10W-40		
	L (US/Imp.qt.)	4.0 (4.2/3.5) without oil filter replacement		
		4.2 (4.4/3.7) with oil filter replacement		
Gear Oil	Grade	API:GL-5, SAE:80-90		
	L (US/Imp.qt.)	1.0 (1.1/0.9)		
PTT Fluid		ATF (Automatic Transmission Fluid) Dexron III		
Battery (minimum requirements)		70Ah/20HR, 512CCA		
Spark Plug		NGK LKR6E		
Spark Plug Gap		mm (in)	0.8-0.9 (0.031-0.035)	
Intake Valve Clearance		mm (in)	0.1-0.2 (0.004-0.008)	0.2-0.24 (0.008-0.0095)
Exhaust Valve Clearance		mm (in)	0.15-0.25 (0.006-0.010)	0.3-0.34 (0.012-0.0135)

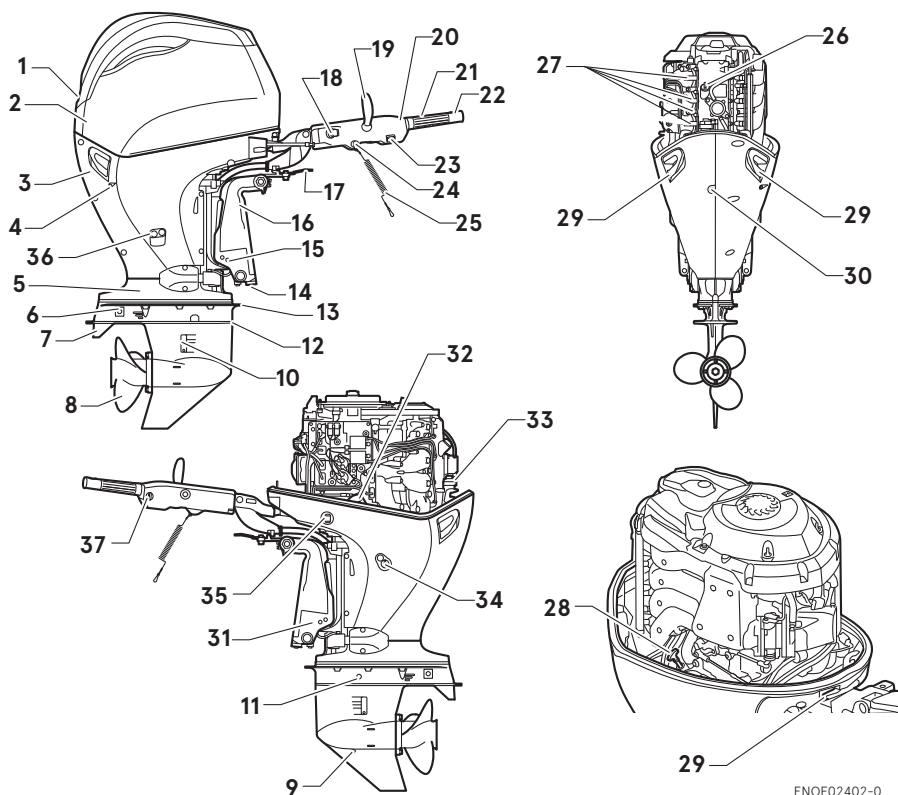
## Tightening torque

Engine Oil Drain Bolt	24 N · m (17 ft · lb, 2.4 kgf · m)
Engine Oil Filter	18 N · m (13 ft · lb, 1.8 kgf · m)
Gear Oil Plug	4 N · m (3 ft · lb, 0.4 kgf · m)
Propeller Nut	35 N · m (25 ft · lb, 3.5 kgf · m)
Spark Plug	18 N · m (13 ft · lb, 1.8 kgf · m)
PTT Manual Relief Valve	3 N · m (2.2 ft · lb, 0.3 kgf · m)

# PARTS NAME

ENOM00820-0

## ET (with multi-function tiller handle)



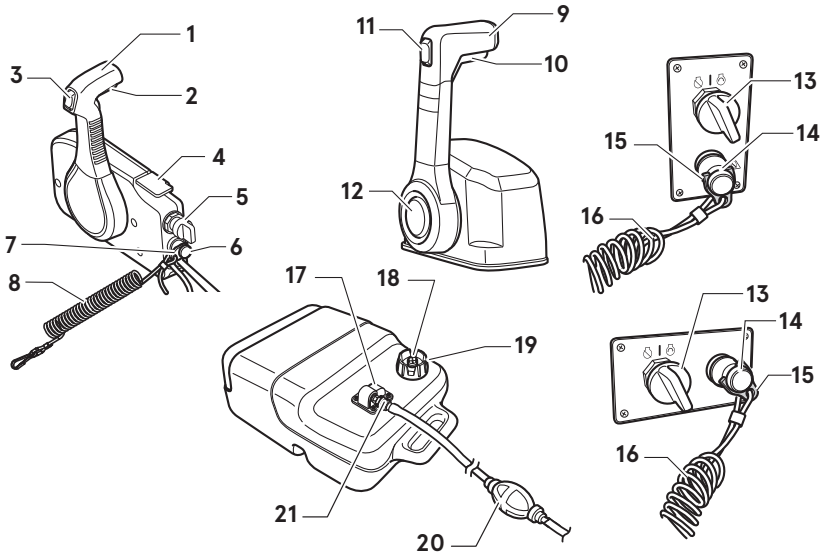
ENOF02402-0

- |                            |                            |                                       |
|----------------------------|----------------------------|---------------------------------------|
| 1 Air Guide                | 14 Anode                   | 27 Spark Plug                         |
| 2 Top Cowl                 | 15 Thrust Rod              | 28 Oil Level Gauge                    |
| 3 Bottom Cowl              | 16 Clamp Bracket           | 29 Cowl Hook Lever                    |
| 4 Cooling Water Check Port | 17 Steering Friction Lever | 30 Idle Port                          |
| 5 Drive Shaft Housing      | 18 Main Switch Key         | 31 Manual Valve                       |
| 6 Anode                    | 19 Shift Lever             | 32 Oil Filter                         |
| 7 Trim Tab                 | 20 Tiller Handle           | 33 Fuel Filter                        |
| 8 Propeller                | 21 Throttle Grip           | 34 Flushing Connector Cap             |
| 9 Oil Plug (Lower)         | 22 PTT Switch              | 35 PTT Switch                         |
| 10 Cooling Water Inlet     | 23 Warning Lamp            | 36 Oil Drain Bolt                     |
| 11 Oil Plug (Upper)        | 24 Stop Switch             | 37 Throttle Friction Adjustment Screw |
| 12 Anti-ventilation Plate  | 25 Stop Switch Lanyard     |                                       |
| 13 Splash Plate            | 26 Oil Filler Cap          |                                       |

ENOM00822-0

## Remote control box & Fuel tank

3



ENOF02403-0

- 1 Control Lever
- 2 Neutral lock arm
- 3 PTT switch
- 4 Free throttle lever
- 5 Main switch
- 6 Stop switch
- 7 Stop switch lock
- 8 Stop switch lanyard
- 9 Control lever
- 10 Neutral lock arm

- 11 PTT switch
- 12 Neutral throttle button
- 13 Main switch
- 14 Stop switch
- 15 Stop switch lock
- 16 Stop switch lanyard
- 17 Fuel gauge
- 18 Air vent screw
- 19 Fuel tank cap

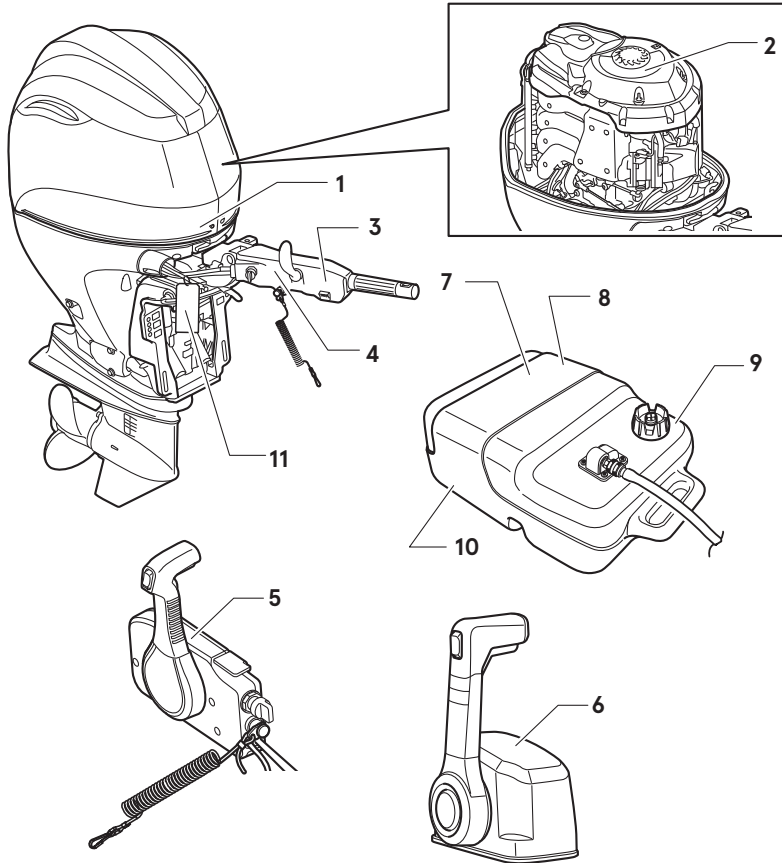
- 20 Primer bulb
- 21 Fuel connector (Fuel tank side)



# ■ LABEL LOCATIONS

ENOM00019-A

## Warning label locations



4

1. Read owner's manual.



ENOF00120-0

- 2-1. Warning regarding starting the engine (See page 38).

**2-2. HOT SURFACE**

Can cause burns.

Do not touch when operating or immediately after the engine has stopped.

**2-3. HAZARD CAUSED BY ROTATING PARTS**

Rotating parts can cause severe injury.

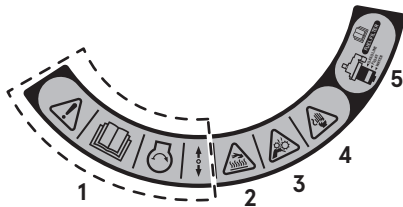
Keep hands, feet, hair, and clothing away from all rotating parts to prevent injury.

**2-4. ELECTRICAL SHOCK HAZARD**

High voltage can cause severe electrical shock.

Do not touch electrical components such as ignition coil or spark plug cord when starting or while the engine is in operation.

- 2-5. Fuel filter maintenance. (See page 64, 70, 72)



3UG-72181-0

**For tiller handle model**

3. Warning lamp (See page 31).



3GF-72198-1

**For tiller handle model**

4. Stop switch (See page 39 and page 50)



3GF-72200-1

**For RC model**

5. Warning regarding stop switch lanyard.



ENOF00008-1

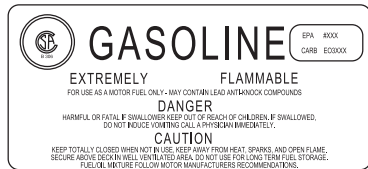
**For Top mount RC**

6. Read owner's manual.



ENOF00120-0

7. Warning regarding gasoline.



ENOF00005-E

8. Warning regarding gasoline (See page 26).



ENOF00005-L

9. Warning regarding gasoline (See page 26).



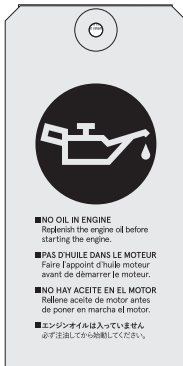
ENOF0005-M

10. Warning regarding gasoline (See page 26).



ENOF0005-F

11. Caution tag regarding for replenish the engine oil. (See page 28).

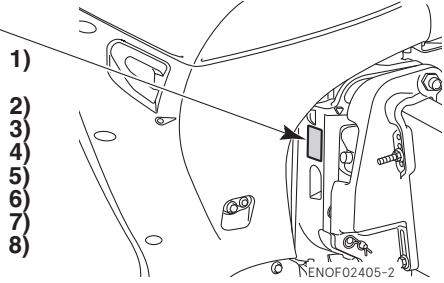
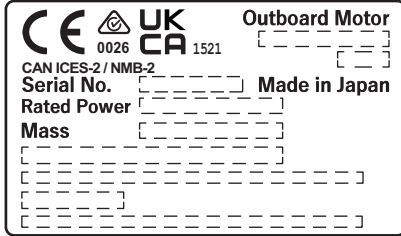


3VJ-72044-000

ENOM00019-B

**CE label locations**

4



- 1. Model code (Model name)
- 2. Serial No.
- 3. Rated power
- 4. Dry mass weight (Without propeller, with battery cable)
- 5. Manufacturer name
- 6. Manufacturer address
- 7. Authorised representative
- 8. Authorised representative address

Description of serial number year code  
 Last two digits of alphabet represent production year as below.

Year Code	BD	BE	BF	BG	BH
Year of manufacture	2024	2025	2026	2027	2028

# INSTALLATION

ENOM01800-0

## 1. Mounting the outboard motor on boat

ENOW00961-0

### WARNING

Do not over-power the boat and take care not to over-load the engine. Boat manufacturers specify the maximum allowable engine power and complement of their boat in accordance with certain standards and show the data on the plate attached to the boat. For unknown matters, if any, inquire to the manufacturer of the boat.

ENOW00962-0

### WARNING

Never use boat equipped with an outboard motor that outputs power exceeding the maximum allowable limit specified by the manufacturer of the boat, or the following problems can occur:

- The boat can go out of control.
- The buoyancy property of the boat varies from the designed value if the boat is overloaded especially at the transom.
- The boat may crack or be damaged around the transom.

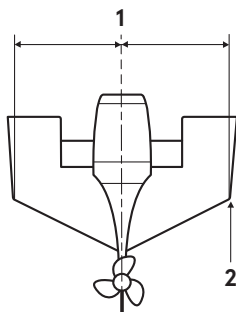
Over-powering boats can cause serious injury, fatal accident and/or serious damages to the hull.

Mounting outboard motor must be performed by trained service person(s) in well-equipped place where lift or hoist can be used.

ENOM00025-0

### Mounting position

Place the outboard motor in the center of the boat's transom.



ENOF02406-0

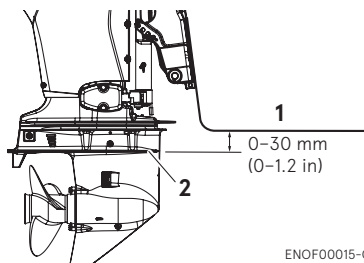
1. Center of boat
2. Chine

ENOM01801-0

### Transom matching

Be sure that the anti ventilation plate of the outboard motor should align with the bottom of the hull or should not exceed more than 30mm (1.2in) below the bottom of the hull.

If the above condition cannot be met due to the shape of the bottom of your boat, please consult your authorized dealer.



ENOF00015-C

1. Bottom of hull
2. Anti ventilation plate

ENOW00007-1

### CAUTION

- Before running test, check the boat with maximum loading capacity. Overloading or incorrect weight distribution of the weight may result in boat to lose control, even swamping or capsizing. Make sure

that there is enough distance between bottom cowl and water surface to prevent water from entering the engine.

- Make sure to mount the engine in correct position. If outboard motor is mounted incorrectly, water may intrude the engine from openings of the bottom cowl while cruising. Exposing the engine to such condition may result in severe damage to the engine.

ENOM01802-1

### Mounting the outboard motor

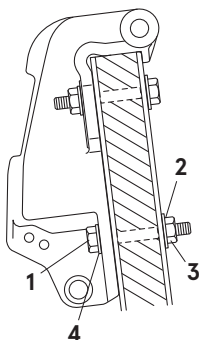
The outboard motor is secured to the boat transom through the 4 bolts with flat washers and nylon locking nuts.

5

ENOW00965-0

### ! WARNING

The outboard motor may displace or come off from the boat, if the mounting bolts loose, possibly resulting in lost of control and /or serious personal injury. Check the mounting bolt tightness on a regular basis.



ENOF00614-0

1. Bolt (12 mm × length 105 mm)
2. Washer (large diameter)
3. Nylon locking nut
4. Washer (small diameter)

ENON00946-0

### Note

Do not reuse nylon locking nut.

ENOM001816-0

## 2. Battery installation

ENOW00012-1

### ! WARNING

Battery electrolyte contains sulfuric acid and is hazardous, causes a burn if come in contact with your skin, and poisonous if swallowed.

Keep battery and electrolyte away from reach of children.

When handling the battery, be sure to:

- Read all warnings shown on the battery case.
- Prevent electrolyte from coming in contact with any part of your body. Contact can cause serious burn or, if come in contact with your eye, loss of sight. Use safety glasses and rubber gloves.

In case you came in contact with battery electrolyte:

- For skin, flush thoroughly with water.
- For eye, flush thoroughly with water, and then seek immediate medical treatment.

In case battery electrolyte is swallowed:

- Seek immediate medical treatment.

ENOW00013-B

### ! WARNING

Battery generates explosive hydrogen gas.

Be sure to:

- Charge the battery in a well-ventilated place.
- Place the battery away from any source of fire, sparks and open flames such as burners or welding equipment.
- Do not smoke near the battery when the battery is charging.

ENOW00014-0

**CAUTION**

- Make sure that the battery leads do not get stuck between the outboard motor and boat when turning, etc.
- The starter motor may fail to operate if the leads are incorrectly connected.
- Be sure to correctly connect the (+) and (-) leads. Otherwise, the electrical system will be damaged.
- Do not disconnect the battery leads from battery while the engine is operating, the electrical parts could be damaged.
- Always use a fully charged battery.

ENOW00015-1

**CAUTION**

Do not use a battery that is not recommended. Use of a battery not recommended can lead to poor performance of, and/or damage to the electrical system.

ENON00006-1E

**Note**

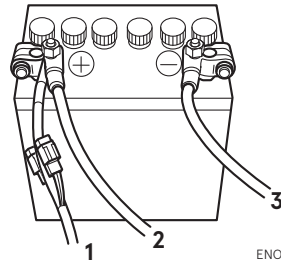
**Minimum battery requirements: 12v 70Ah/20HR, 512 Cold Cranking Amps (CCA).**

Larger capacity battery is required when it is used under a freezing condition. Recommend connecting only the engine battery cables to the starting battery. Specifications and features of battery vary by manufacturers.

Consult the manufacturer for details.

\* The battery should be purchased separately and is not supplied with the outboard motor.

1. Place the battery box in a convenient position and away from possible water spray. Securely fasten both the box and the battery so they do not shake loose.
2. Connect the positive leads (+) to the positive terminal (+) of the battery, and then connect the negative lead (-). When disconnecting the battery, always remove the negative lead (-) first. After connecting the positive terminal (+), securely place a cap on it to prevent short circuits.



ENOF02444-1

1. Starter cable (red)
2. Battery cable (red)
3. Battery cable (black)

ENON00944-0

**Note**

- Do not use wing nuts to fasten battery cables.
- Wing nuts tend to loosen and cause electrical system damage.



ENOF02445-0

ENOMA0001-1

### 3. Propeller installation

#### Propeller Installation for counter rotation models

Standard rotation propeller rotates clockwise. Counter rotation propeller rotates counterclockwise. Counter rotation models are intended for multiple engine application. In general, twin engine installation should have counter rotation model on the port side and standard rotation model on the starboard side.

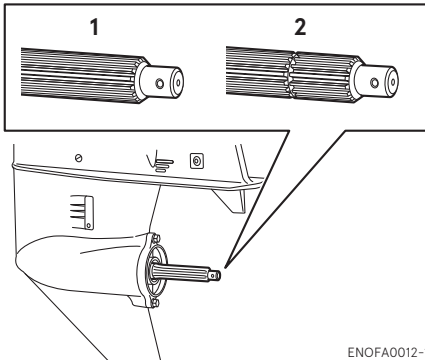
ENOWA0001-1

#### **⚠ WARNING**

Be sure to use a propeller intended for counter rotation use. Interchanging parts between standard and counter rotation models will make your boat run in an unexpected direction, and passengers may be ejected out of the boat, resulting in serious injuries or even death.

#### Identification of counter rotation model

The difference between standard rotation models and counter rotation models can be identified by mark on propeller shaft.



ENOFA0012-1

1. Standard rotation model
2. Counter rotation model

#### Propeller Installation

ENOW00084-0

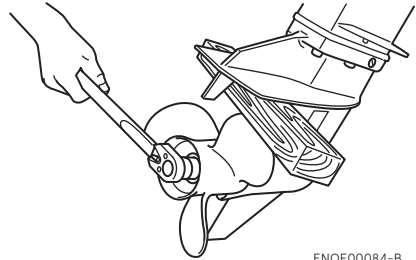
#### **⚠ WARNING**

- Do not begin propeller removal and installation procedure with spark plug caps attached, shift in forward or reverse, main switch at other than "OFF", engine stop switch lock attached to the switch, and starter key attached, or engine could accidentally start leading to serious personal injury. Disconnect battery cable if possible.
- The propeller edge is thin and sharp. Wear the grooves during replacement to protect your hands.

ENOW00085-0

#### **⚠ WARNING**

Do not hold propeller with hand(s) when loosening or tightening propeller nut. Put a piece of wood block between propeller blade and anti-ventilation plate to hold propeller.



ENOF00084-B

ENOW00086-0

#### **⚠ CAUTION**

- Do not install propeller without thrust holder, or propeller boss could be damaged.
- Do not reuse split pin.



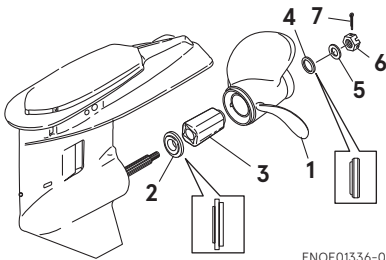
- After installing split pin, spread the pin apart to prevent it from falling out which could lead to the propeller coming off during operation.

Propeller must be selected that will allow the engine to reach recommended maximum operating range during cruising.

Wide-open throttle rpm range
5150 – 5850 min <sup>-1</sup> (rpm)

Genuine propellers are listed on PROPELLER TABLE of this manual (See page 93).

1. Remove the split pin, propeller nut and washer.
2. Apply water proof grease to the propeller shaft before installing a new propeller.
3. Install the thrust holder, propeller stopper, washer and propeller nut onto the shaft.



ENOF01336-0

1. Propeller
  2. Thrust holder
  3. Bush
  4. Stopper
  5. Washer
  6. Nut
  7. Split pin
4. Tighten the propeller nut to specified torque with holding the propeller by wood block. And align one of grooves to propeller shaft hole.

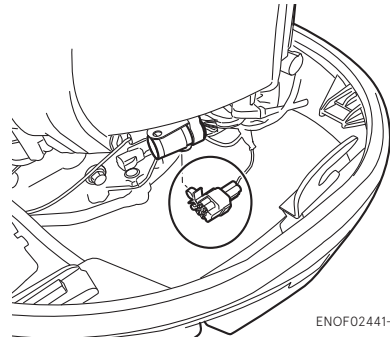
Propeller nut torque:  
**35 N·m (25 ft·lb, 3.5 kgf·m)**

5. Install a new split pin into the nut hole and bend it.

ENOM01821-1

#### 4. TOCS (Tohatsu Onboard Communication System) installation

TOCS (Tohatsu Onboard Communication System) interface coupler can provide information regarding engine speed, fuel consumption, and various possible malfunctions. Contact authorized Tohatsu dealer for more details.



ENOF02441-0

# PRE-OPERATING PREPARATIONS

ENOM00030-A

## 1. Fuel handling

ENOW000017-0

### CAUTION

**Use of improper gasoline can damage your engine. Engine damage resulting from the use of improper gasoline is considered misuse of the engine, and damage caused thereby will not be covered under the limited warranty.**

ENOM00031-1

## FUEL RATING

Use only major brand unleaded fuel meeting the following specifications:

**USA and Canada** – having a posted pump Octane Rating of 87 (R+M)/2 minimum. Premium gasoline (92 [R+M]/2 Octane) is also acceptable. Do not use leaded gasoline.

**Outside USA and Canada** – Use unleaded gasoline with declared octane rating of 91 RON or over. Use of premium gasoline of 98 RON is also allowed.

ENOM00032-1

## GASOLINES CONTAINING ETHANOL

The fuel system components on your TOHATSU outboard motor will withstand up to 10% ethyl alcohol (hereinafter referred to as the "ethanol") content in the gasoline. If the gasoline in your area contains ethanol, be aware of certain adverse effects that can occur. Increasing the percentage of ethanol in the fuel can also worsen these adverse effects. Some of these adverse effects are caused by ethanol absorbing moisture in

the air, which leads to separation of the water/ethanol from the gasoline in the fuel tank.

Use of gasoline containing ethanol may accelerate:

- Corrosion of metal parts
- Deterioration of rubber or plastic parts
- Fuel permeation through rubber fuel lines
- Starting and operating difficulties

If the use of gasoline containing ethanol cannot be avoided or presence of ethanol is suspected in the gasoline, it is recommended to use a filter to separate water, and frequently check the fuel system for leaks, mechanical parts for corrosion and abnormal wear.

In case any of such abnormality is found, discontinue the use of such gasoline and contact our dealer immediately.

If the outboard motor will only be used infrequently, please see the remarks on fuel deterioration in the STORAGE chapter (P 85) for additional information.

ENOW00975-0

### CAUTION

**When operating an outboard motor with gasoline containing ethanol, storing gasoline in the fuel tank for long periods should be avoided. Storing gasoline for long periods creates unique problems. In cars, ethanol blended fuels are normally consumed before they can absorb enough moisture to cause problems, but boats often sit idle long enough for separation phase to take place. In addition, internal corrosion may take place during storage if ethanol washes away the oil films protecting internal components.**

ENOW00018-1

**⚠ WARNING**

Fuel leakage can cause fire or explosion, potentially leading to severe injury or loss of life. Every part of fuel system should be inspected periodically. Inspect for fuel leak, hardness or any alteration of rubber, expansion and/or corrosion of metals especially after long term storage. In case any indication of fuel leakage or degradation in fuel system is found, replace the part immediately before using the outboard motor.

ENOM00043-B

**2. Fuel filling**

ENOW00976-0

**⚠ WARNING**

Do not fill the fuel tank over capacity. Under high temperature conditions, excessive gasoline may evaporate/leak through air vent screw when it is loose or open. Leaking of gasoline is a may lead to a dangerous fire hazard.

ENOW00028-1

**⚠ WARNING**

Consult an authorized dealer for details on handling gasoline, if necessary.

Gasoline and its vapor are very flammable and can be explosive.

When carrying a fuel tank containing gasoline:

- Close the fuel tank cap and air vent screw of fuel tank cap, or gasoline may evaporate through the air vent screw and may lead to a fire hazard.
- Do not smoke.

When or before refueling:

- Be sure to remove the static electricity charged in your body before refueling.
- The static electricity may ignite the gasoline vapor during refueling.

- Stop the engine, and do not start the engine during refueling.
- Do not smoke.
- Be careful not to overfill fuel tank. Wipe up any spilled gasoline immediately.

When or before cleaning the gasoline tank:

- Dismount fuel tank from the boat.
- Place the fuel tank away from every source of ignition, such as sparks or open flames.
- Do the work outdoors or in a well ventilated area.
- Wipe up gasoline well immediately if spilled.

After cleaning gasoline tank:

- Wipe up gasoline well immediately if spilled.
- If the fuel tank is disassembled for cleaning, reassemble carefully. Incorrect assembly may cause a fuel leak, possibly leading to fire or explosion.
- Dispose aged or contaminated gasoline in accordance with local regulations.

ENOW00029-1

**⚠ WARNING**

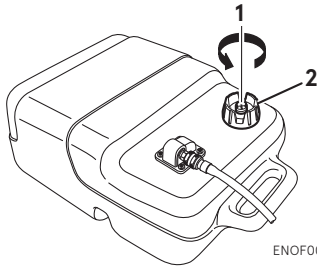
When opening fuel tank cap, be sure to follow the procedure described below. Fuel could blast out if the fuel tank cap is opened by using another procedure when internal pressure of fuel tank is raised by heat from sources such as sun light.

ENOW00946-0

**⚠ CAUTION**

Separate tank must be fixed at appropriate position so that well ventilated and tank does not move or fall down while operating.

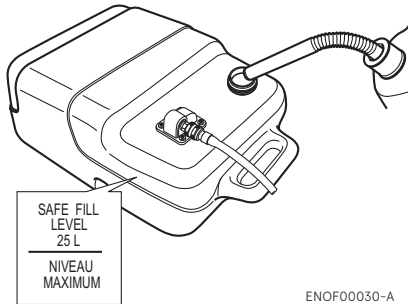
1. Fully open the air vent screw on the fuel tank cap and release internal pressure.



1. Air vent screw
2. Fuel tank cap

6

2. Open the fuel tank cap slowly.
3. Fill the fuel carefully not to over flow.



4. After filling the tank, close the fuel tank cap.

ENOM00037-A

### 3. Engine oil filling

ENOW00022-2

## ! CAUTION

The engine oil is drained for shipping at the factory. Be sure to fill the engine oil to the proper level before starting the engine.

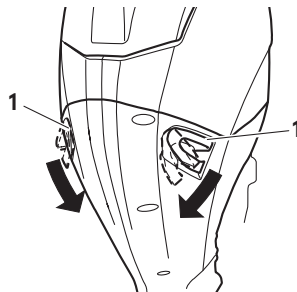
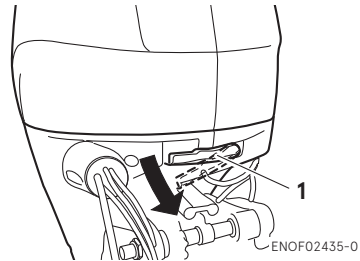
ENOW00092-1

## ! CAUTION

- Do not overfill engine oil, or engine oil could leak and/or engine could be damaged. If engine oil level is over upper limit marks of dip stick, drain oil to level lower than upper limit.
- Be sure that outboard motor is upright when checking or changing oil.
- Stop the engine immediately if low oil pressure warning lamp or oil leak is found, or engine could be severely damaged. Consult your dealer.
- Wipe off engine oil well immediately if spilled and dispose of it in accordance with local fire prevention and environmental protection regulations.

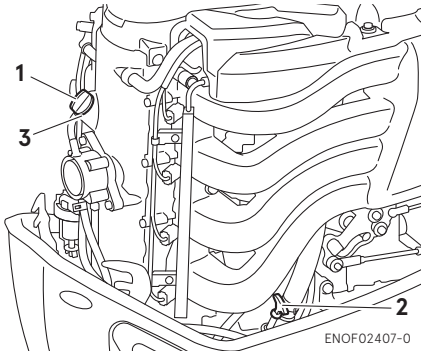
ENOM01812-B

1. Place the outboard motor in a vertical position.
2. Turn the top cowl hook levers to unlock, lift and remove the top cowl.

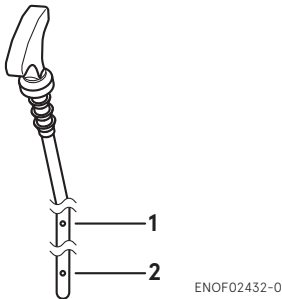


1. Cowl hook lever

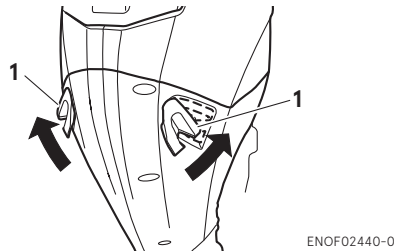
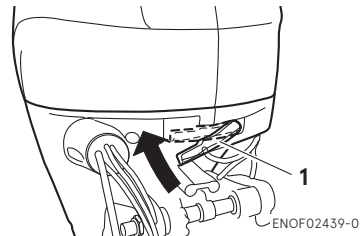
3. Remove the oil filler cap.
4. Fill the engine through the filler port with the oil to between the upper and lower limit mark on the dipstick.
5. Tighten the oil filler cap.



1. Filler cap
2. Dipstick
3. Filler port



1. Upper limit 4200 mL (4.4/3.7 US/Imp qt.)
2. Lower limit 2200 mL (2.3/1.9 US/Imp. qt.)
6. Start the engine and idling for 5 minutes, then check for no oil leaks and no warning indicate.
7. Stop the engine and leave it for 5 minutes and check oil level on the dipstick. Add oil if necessary.
8. Make sure that the top cowl is correctly seated on the bottom cowl seal rubber.
9. Turn the top cowl hook levers to securely lock.



1. Cowl hook lever

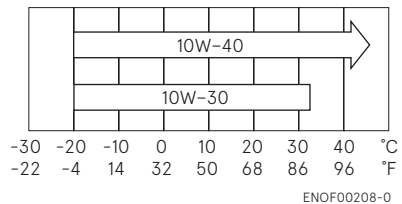
### Engine oil recommendation

Use only high quality 4-stroke outboard motor oil to insure performance and prolonged engine life.

SAE: 10W-30 or 10W-40

API: SH, SJ or SL

Engine oil viscosity must be selected from the following chart according to the average temperatures in your area.



Engine oil volume
Approximately 4.0 L (4.2/3.5 US/Imp.qt.)

ENOW0002A-A

**CAUTION**

**Use of engine oils that do not meet these requirements will result in reduced engine life, and other engine problems.**

ENOM00033-A

## 4. Break-In

Your new outboard motor and lower unit require break-in for the moving components according to the conditions described in the following time table.

Please refer to ENGINE OPERATION section (See page 37) to learn how to correctly start and operate the outboard motor.

ENOW00024-1

### DANGER

**Do not operate the outboard motor in closed area or area with not enough ventilation.**

**Exhaust gas emitted by the outboard motor contains carbon monoxide that may cause dizziness, nausea, other health problem or even death if inhaled continuously.**

**During operation of the outboard motor:**

- **Keep peripheral area well ventilated.**
- **Always stay on the windward side of emission.**

ENOW00023-1

### CAUTION

**Operating the outboard motor without break-in can shorten life.**

**If any abnormality is experienced during the break-in:**

- **Discontinue the operation immediately.**
- **Have the dealer check the product and take proper action(s) if necessary.**

ENON00008-2

### Note

- During Break-in, run the outboard motor at varied RPM less than specified engine speed. Not following the procedure may result in problems and may shorten the product life.
- Break-in must be conducted under load in the water in-gear with propeller installed.

6

	1-10 min	10 min - 2 hrs	2-3 hrs	3-10 hrs	After 10 hrs
Throttle Position	Idle	Less than 1/2 throttle	Less than 3/4 throttle	3/4 throttle	Full throttle available
Speed		Approx. 3000 min <sup>-1</sup> (rpm) max	Full throttle run allowed for 1 min every 10 min	Approx. 4000 min <sup>-1</sup> (rpm). Full throttle run allowed for 2 min every 10 min	

ENOM00039-0

## 5. Warning system

If outboard motor encounters an abnormal condition of fault, the warning buzzer will emit a continuous beep or intermittent short beeps and the warning lamp (LED) will synchronize with the buzzer and engine speed will be limited (engine will not be stopped).

See next page for conditions which will lead to an abnormal condition or fault.

ENOM00040-A

### Location of warning buzzer and lamp

#### ■ Warning buzzer

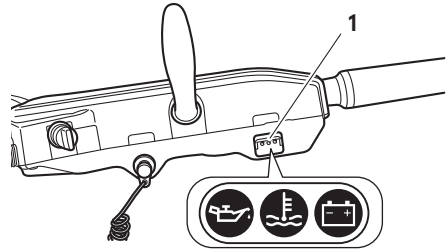
RC model: Located inside the remote control.

Tiller handle model: Located in the tiller handle.

#### ■ Warning lamp (LED)

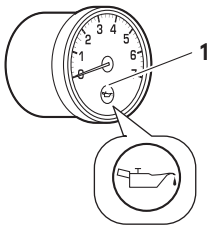
RC model: Located in the tachometer.

Tiller handle model: Located on the tiller handle.



ENOF00852-2

1. Warning lamp




ENOF00851-A

1. Warning lamp

ENOM01822-0

## Warning indicators, faults and remedy

### For one warning lamp

Warning indicators		ESG	Description of faults or notice	Remedy
Sound	 A lamp			
Continuous	ON	-	Normal system test when key on	
Continuous	-	High speed ESG	Engine speed exceeds maximum allowable RPM	1
Continuous (*2)	ON (*2)	Low speed ESG (*2)	Low oil pressure (*1)	2
Continuous	-	Low speed ESG	Engine temperature is high	3
Continuous	Flashing	Low speed ESG (*3)	Engine temperature is abnormally high	3
-	Flashing	Low speed ESG	Engine temperature sensor or MAP sensor malfunction, or battery overcharge.	4
-	Flashing	-	Mulfaction of sensors or electrical parts other than the above sensors.	4
-	Flashing (*4)	-	Oil change reminder (every 100 hrs.)	5
One beep	-	-	Lowest RPM of variable idling system	
Two beep	-	-	Highest RPM of variable idling system	

\*1: In this case, oil pressure switch is "ON".

\*2: It is necessary to stop the engine, if you want to stop the working indicators and re-set the warning system.

\*3: Engine speed controlled to 1800 min<sup>-1</sup>(rpm).

\*4: Flashing pattern, 1 sec ON and 9 secs OFF.

#### High speed ESG (Electronic Safety Governor)

High speed ESG is a device to prevent over revolution of the engine. If the load to the engine becomes light for some reason, it runs at a higher speed than the usual. In such the case, the buzzer sounds and the ESG is activated to restrict amount of fuel injection. Therefore, the engine speed varies and be controlled under 6000 min<sup>-1</sup> (rpm).

#### Low speed ESG

Low speed ESG is a device to prevent the engine from getting damage. If the engine has problems regarding cooling water, oil pressure, and sensors, the low speed ESG is activated to restrict amount of fuel injection. Therefore, the engine speed varies and be controlled under 1800 min<sup>-1</sup> (rpm) or 2800 min<sup>-1</sup> (rpm).






ENOM00126-A

**Remedy**

1. Reduce the speed to less than half open throttle, and move to safe place quickly, and stop the engine.  
Check the propeller for bent or damage on blades.  
Consult an authorized dealer if engine shows the same result even after replacing propeller with a new one.
2. Move to safe place quickly, and stop the engine until it cools down.  
Check the engine oil level, and add engine oil if necessary.  
Consult your dealer if the engine oil level is too low or too high.
3. Move to safe place quickly, and check if cooling water is discharged from the water check port at idle speed and stop the engine.  
Remove any foreign matter on the gear case and propeller if necessary.  
Consult an authorized dealer if no discharge of cooling water.
4. Consult an authorized dealer.
5. Replace the engine oil (See page 72) and reset the indicator (See page 35).

ENOM00041-A

## Warning indicators, faults and remedy For three warning lamps

Warning indicators				ESG	Description of faults or notice	Remedy
Sound	 A lamp	 B lamp	 C lamp			
Continuous	ON	ON	ON	-	Normal system test when key on	
Continuous	-	-	-	High speed ESG	Engine speed exceeds maximum allowable RPM	1
Continuous (*2)	ON (*2)	-	-	Low speed ESG (*2)	Low oil pressure (*1)	2
Continuous	-	Flashing	-	Low speed ESG	Engine temperature is high	3
Continuous	Flashing	Flashing	Flashing	Low speed ESG (*3)	Engine temperature is abnormally high	3
-	-	-	Flashing	-	Low battery voltage	4
-	Flashing	Flashing	Flashing	Low speed ESG	Engine temperature sensor or MAP sensor malfunction, or battery overcharge.	4
-	Flashing	Flashing	Flashing	-	Mulfaction of sensors or electrical parts other than the above sensors.	4
-	Flashing (*4)	-	-	-	Oil change reminder (every 100 hrs.)	5
One beep	-	-	-	-	Lowest RPM of variable idling system	
Two beep	-	-	-	-	Highest RPM of variable idling system	

\*1: In this case, oil pressure switch is "ON".

\*2: It is necessary to stop the engine, if you want to stop the working indicators and re-set the warning system.

\*3: Engine speed controlled to 1800 min<sup>-1</sup>(rpm).

\*4: Flashing pattern, 1 sec ON and 9 secs OFF.

### High speed ESG (Electronic Safety Governor)

High speed ESG is a device to prevent over revolution of the engine. If the load to the engine becomes light for some reason, it runs at a higher speed than the usual. In such the case, the buzzer sounds and the ESG is activated to restrict amount of fuel injection. Therefore, the engine speed varies and be controlled under 6000 min<sup>-1</sup> (rpm).

### Low speed ESG

Low speed ESG is a device to prevent the engine from getting damage. If the engine has problems regarding cooling water, oil pressure, and sensors, the low speed ESG is activated to restrict amount of fuel injection. Therefore, the engine speed varies and be controlled under 1800 min<sup>-1</sup> (rpm) or 2800 min<sup>-1</sup> (rpm).

ENOM00126-A1

**Remedy**

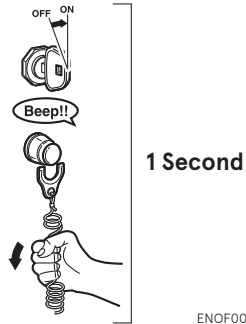
1. Reduce the speed to less than half open throttle, and move to safe place quickly, and stop the engine.  
Check the propeller for bent or damage on blades.  
Consult an authorized dealer if engine shows the same result even after replacing propeller with a new one.
2. Move to safe place quickly, and stop the engine until it cools down.  
Check the engine oil level, and add engine oil if necessary.  
Consult your dealer if the engine oil level is too low or too high.
3. Move to safe place quickly, and check if cooling water is discharged from the water check port at idle speed and stop the engine.  
Remove any foreign matter on the gear case and propeller if necessary.  
Consult an authorized dealer if no discharge of cooling water.
4. Consult an authorized dealer.
5. Replace the engine oil (See page 72) and reset the indicator (See page 35).

ENOM00870-0

**Engine oil replacement indicator function reset method**

As for "Engine oil replacement indicator function", informing the appropriate timing of engine oil replacement by blinking of the lamp, when beyond 100 hours operating.

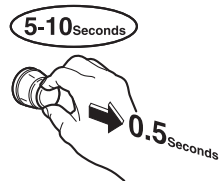
1. Be certain the safety lanyard is installed. Turn the key to the 'on' position and after the 'beep' pull the safety lanyard off.



ENOF00853-0

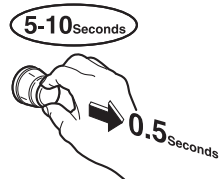
6

2. Within 5-10 seconds, pull the red knob on the safety switch out and release.



ENOF00854-0

3. Wait 5-10 seconds and pull the red knob out and release.



ENOF00854-0

4. Within 5-10 seconds you will here 3 beeps to inform you that you have successfully reset the system.

**5Seconds**



ENOF00856-0

5. Turn the ley to the 'off' position and replace the safety lanyard lock.

The engine oil replacement indicators function operates again after 100 hours operation from reset this function.

# ENGINE OPERATION

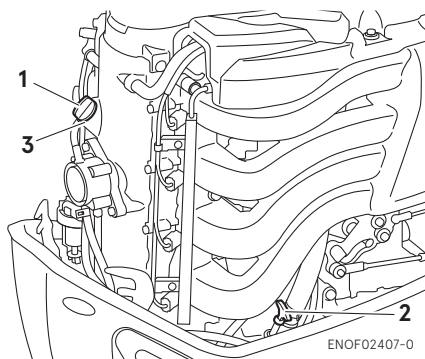
ENOM00042-0

## Before starting

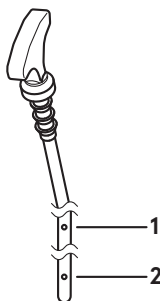
ENOM00246-0

### Oil Level checking

Check the engine oil level before each use. If the oil level is low or too high, the life of the engine will be shortened significantly. (To properly check the engine oil level, follow the instructions, see page 65)



1. Oil filler cap
2. Dipstick
3. Filler port



1. Upper limit 4200 mL (4.4/3.7 US/Imp qt.)
2. Lower limit 2200 mL (2.3/1.9 US/Imp. qt.)

ENOF02432-0

ENOM01804-0

## 1. Fuel feeding

ENOW00029-A

### WARNING

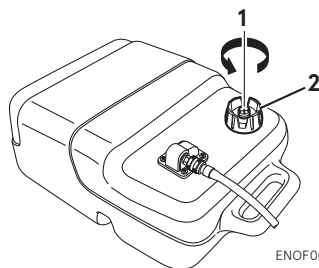
When opening fuel tank cap, be sure to follow the procedure described below. Fuel could blast out through the fuel tank cap in case the cap is loosened by using another procedure when internal pressure of fuel tank is raised by heat from sources such as sun light.

ENOW00947-0

### CAUTION

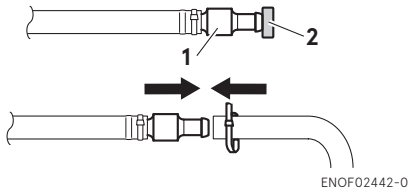
When using a separate tank, be sure that the fuel line is not kinked and is connected securely.

1. Fully open the air vent screw on the fuel tank cap.

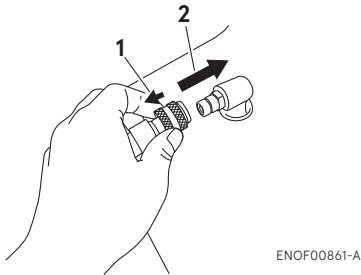


ENOF00027-B

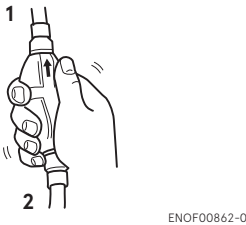
1. Air vent screw
  2. Fuel tank cap
2. Open the fuel tank cap slowly and release internal pressure completely. After that, close the fuel tank.
  3. Remove the cap from the fuel joint. Connect the fuel hose of the primer bulb and secure with a hose band.



1. Joint
  2. Cap
4. Connect the primer bulb to the fuel tank.



1. Pull
  2. Insert
5. Squeeze primer bulb until it becomes stiff to feed fuel to vapor separator. Point the arrow mark upward when priming.



1. Engine side
  2. Fuel tank side
- Do not squeeze primer bulb with engine running or when the outboard motor is tilted up to avoid fuel from overflowing.

ENOM01805-0

## 2. Starting the engine

ENOW00958-1

### ⚠ WARNING

- Do not remove or install the top cowl after the engine has started.
- The exposed rotating engine parts cause serious injury.

ENOW00959-0

### ⚠ CAUTION

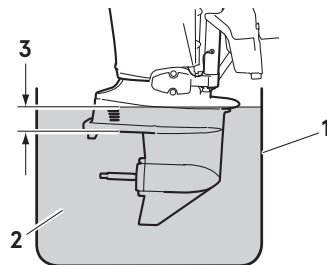
The top cowl must be installed while the engine running except in an emergency. If the top cowl is not installed correctly, water splash can damage the engine.

ENOW00036-1A

### ⚠ CAUTION

When starting the outboard motor in the test tank, make sure that:

1. Water level is at least 10 cm (4 in.) above the anti-ventilation plate to avoid overheating of the engine.
2. Run at idling only
3. Remove the propeller (See page 77)



ENOF00863-0

1. Test tank
2. Water
3. Over 10 cm (4 in.)

ENOW00036-1

**CAUTION**

Operating outboard motor without cooling water will lead to overheating and damage on the outboard motor severely. In case the cooling water check port is not discharging water, stop the outboard motor immediately, check for any object, debris which may be blocking the cooling water check port. If you are unable to locate the cause, consult an authorized dealer immediately.

ENOW00974-0

**CAUTION**

**Starter motor will not operate if the stop switch lock is not properly installed.**

This model is provided with start in gear protection.

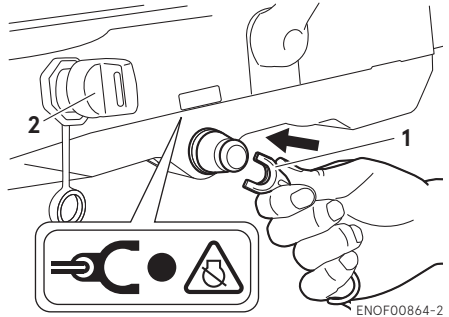
**Note**

Start-in-gear protection prevents the engine from starting at other than neutral shift. In-gear starting of engine will move the boat immediately, potentially leading to fall down or causing passenger(s) to be thrown overboard.

ENOM01806-1

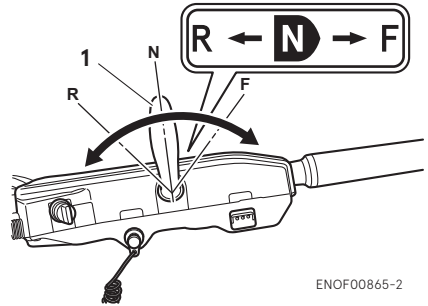
**Tiller handle type**

1. Be sure to install the stop switch lock to the stop switch, and attach the stop switch lanyard securely to the operator or to the operator's PFD (Personal Flotation Device.)



ENOF00864-2

1. Stop switch lock
2. Main switch key
2. Insert the main switch key.
3. Set the shift lever in the Neutral position.



ENOF00865-2

1. Shift lever

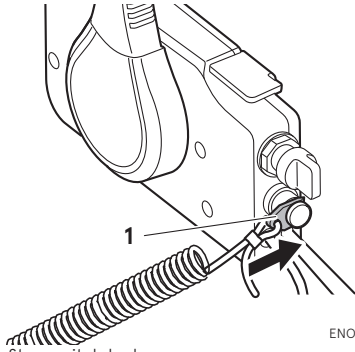
ENOW00031-0

**CAUTION**

**If the engine starts in gear, do not use it. Contact an authorized dealer.**

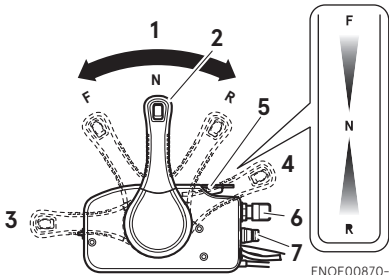






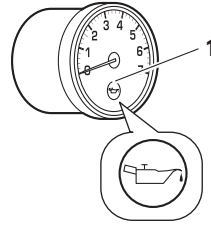
ENOF00869-1

1. Stop switch lock
2. Insert the main switch key.
3. Set the control lever in the Neutral position. Do not raise the free throttle lever when starting the engine.



ENOF00870-1

1. Neutral (N)
  2. Control lever
  3. Fully opened (Forward)
  4. Fully opened (Reverse)
  5. Free throttle lever
  6. Main switch key
  7. Stop switch
4. Turn the main switch key to ON position and confirm three warning lamps light up with beep sound and then lights out.



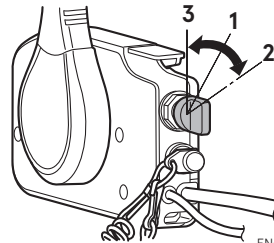
ENOF00851-A

1. Warning lamp
5. Turn the main switch key to the START position and release it to start the engine. The engine will crank continuously until the engine starts.

ENON00942-0

**Note**

- It takes maximum 4 seconds of the continuous crank before the engine starts.
- If fail to start the engine, crank again after 10 seconds or more.



ENOF00871-1

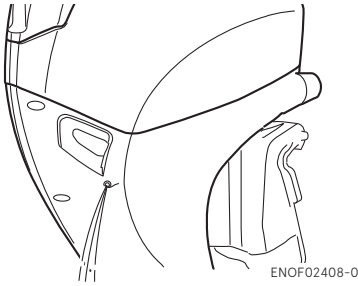
1. ON
2. START
3. OFF

ENON00035-1

**Note**

The free throttle lever cannot be raised when the control lever is in Forward or Reverse.

6. Check the cooling water from cooling water check port.

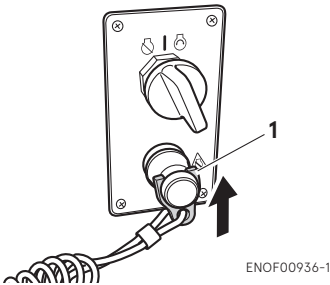


ENOF02408-0

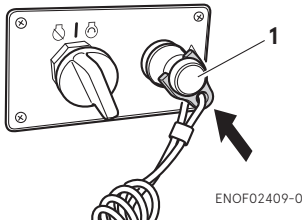
ENOM00974-B

**Top mount RC type**

1. Be sure to install the stop switch lock to the stop switch, and attach the stop switch lanyard securely to the operator or to the operator's PFD (Personal Flotation Device.)



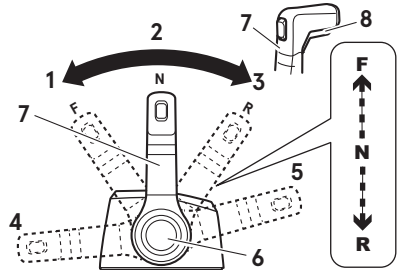
ENOF00936-1



ENOF02409-0

1. Stop switch lock

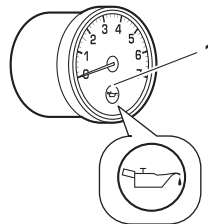
2. Insert the main switch key.
3. Set the control lever in the Neutral position. Do not use the Neutral throttle button to open the throttle when starting the engine.



ENOF00937-0

1. Forward (F)
2. Neutral (N)
3. Reverse (R)
4. Fully opened (Forward)
5. Fully opened (Reverse)
6. Neutral throttle button
7. Control lever
8. Neutral lock arm

4. Turn the main switch key to ON position and confirm three warning lamps light up with buzzer sound and then go off.



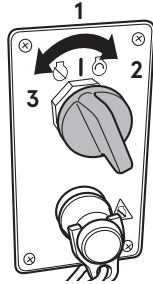
ENOF00851-A

1. Warning lamp
5. Turn the main switch key to the START position and release it to start the engine. The engine will crank continuously until the engine starts.

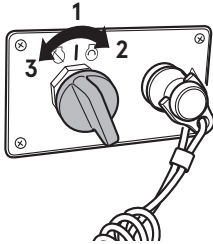
ENON00942-0

**Note**

- It takes maximum 4 seconds of the continuous crank before the engine starts.
- If fail to start the engine, crank again after 10 seconds or more.



ENOF00938-1



ENOF02410-0

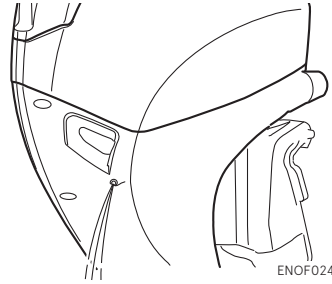
1. ON
2. START
3. OFF

ENON00939-0

**Note**

The neutral throttle button can not be push-in when the control lever shift is in Forward or Reverse.

6. Check the cooling water from cooling water check port.



ENOF02408-0

ENOM00043-A

**3. Warming up the engine**

ENOW00932-1

**⚠ CAUTION**

**Be sure to check that cooling water is discharged from the cooling water check port during warm up.**

7

Warm the engine at low engine speeds for about

- 3 minutes : above 5°C (41°F)
- 5 minutes at 2000 min<sup>-1</sup> (rpm) : blow 5°C (41°F)

This allows the lubricating oil to circulate to all parts of the engine. Operating the engine without warm up shortens the engine's life.

ENOM01826-0

**Engine speeds**

Idling speed after warming up.

Remark: The idling speed automatically increases depending on the engine temperature. When the engine reaches normal operating temperature, it will return to the specified idling speed.

Clutch in (In gear)	Clutch off (Out of gear)
700 min <sup>-1</sup> (rpm)	700 min <sup>-1</sup> (rpm)

ENOM00972-0

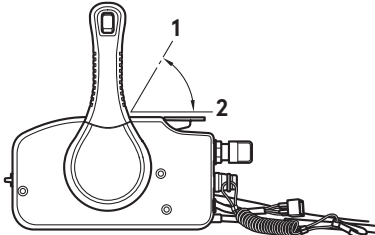
### Free throttle lever (Side mount RC type)

ENOW00956-0

**CAUTION**

- Keep the free throttle lever fully closed-position when start the engine.
- The free throttle lever is inoperative unless the control lever is in neutral.
- Also, the control lever is inoperative unless the free throttle lever is returned to the fully-closed position.

The free throttle lever is for warm-up operation. (Not required for engine starting) With the control lever in neutral, move the free throttle lever upward to open the throttle.



ENOF00934-0

1. Fully-open
2. Fully-closed

ENOM00973-0

### Neutral throttle button (Top mount RC type)

ENOW00957-0

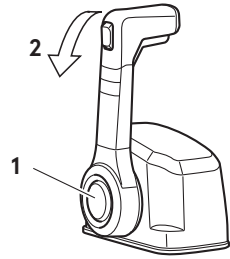
**CAUTION**

The control lever does not operate unless the neutral lock arm is pulled.

The neutral throttle button is for warm-up operation. (Not required for engine starting) When the control lever is in

neutral, push and hold the neutral throttle button. While holding the button, move the lever forward to throttle up the engine.

When the control lever is returned to the neutral position, the button will reset automatically.



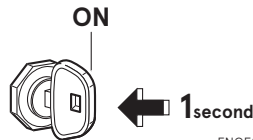
ENOF00935-0

1. Neutral throttle button
2. Forward

ENOM00880-A

### Trolling speed control (except for normal tiller handle type)

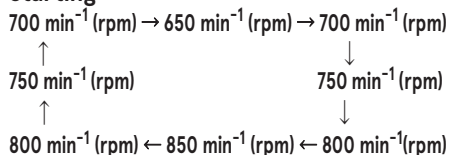
If the main switch key is pressed for 1 (one) second during idling or trolling operation, engine speed changes.



ENOF00876-0

each time the main switch key is pressed. Engine speed changes as follows.

#### Starting



Buzzer makes one short sound when the engine speed is set to  $650 \text{ min}^{-1}$  (rpm), indicating the minimum trolling speed is set.

Buzzer makes two short sound when the engine speed is set to  $850 \text{ min}^{-1}$  (rpm), indicating the maximum trolling speed is set.

Trolling speed control function will reset and trolling speed is set to  $700 \text{ min}^{-1}$  (rpm) when the engine speed is increased above  $3,000 \text{ min}^{-1}$  (rpm) or after the engine restarted.

If battery voltage is lower than specified value, this function does not operate, and trolling speed is controlled to  $700 \text{ min}^{-1}$  (rpm) automatically.

ENOM00046-A

#### 4. Forward, reverse, and acceleration

ENOW00964-0

### WARNING

Before departure, make sure that the boat is properly moored and no swimmer(s) is near the boat then check shift and steering mechanism work smoothly.

ENOW00967-0

### WARNING

- Attach other end of emergency stop switch lanyard to the operator's PFD (Personal Flotation device) or arm and keep it attached during cruising.
- Do not attach the lanyard to a part of clothing that can be torn easily when pulled.
- Arrange the lanyard so that will not be caught by any object when pulled.

- Be careful not to pull the lanyard accidentally during cruising. Unintentional stop of engine can cause loss of control of outboard motor. Rapid loss of engine power can lead to falling down or causing passenger(s) to be thrown overboard.

ENOW00042-1

### WARNING

- Do not shift into Reverse during planing, or control will be lost leading to serious personal injury, boat may swamp, and/or hull may be damaged.
- Do not shift into Reverse during cruising, or control may be lost, fall down or causing passenger(s) to be thrown overboard. Leading to serious personal injury, and steering system and/or shifting mechanism may be damaged.

ENOW00861-1

### WARNING

Do not shift at high boat speed, or control may be lost, fall down or causing passenger(s) to be thrown overboard. Leading to serious personal injury.

ENOW00867-1

### WARNING

Sudden acceleration and deceleration may cause passenger(s) to be thrown overboard or fall down.

ENOW00862-1

### CAUTION

Gear and clutch damage may occur if shifting at high engine speed.  
Engine must be in the slow idle position before shifting.

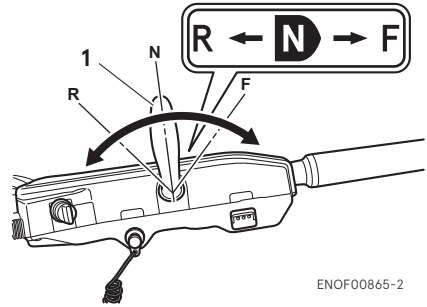
ENOW00863-0

**CAUTION**

Idle speed may be higher during warming up of engine. If shifted to Forward or Reverse during warming up, it may be difficult to shift back to neutral. In such case, stop engine, shift to neutral, and restart engine to warm up.

ENON00014-0  
**Note**

Frequent shifting to forward or reverse can accelerate wear or degradation of parts. In such case, replace gear oil earlier than the period specified.



ENOF00865-2

1. Shift lever

**Forward**

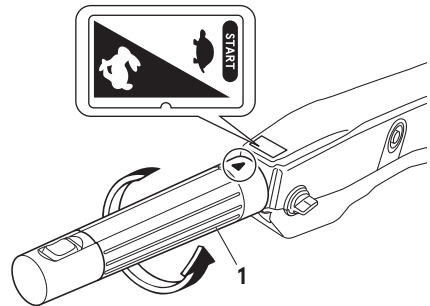
1. Turn the throttle grip to reduce engine speed.
2. When the engine reaches trolling (or idling) speed, quickly pull the shift lever to the Forward position.

**Reverse**

1. Turn the throttle grip to reduce engine speed.
2. When the engine reaches trolling (or idling) speed, quickly pull the shift lever to the Reverse position.

**Acceleration**

After shifting, twist the throttle grip gradually to accelerate.



ENOF00878-2

1. Throttle grip

ENOW00864-0

**CAUTION**

**Do not increase engine speed unnecessarily when the shift is in neutral and reverse, or engine damage may occur.**

7

ENOM00890-D

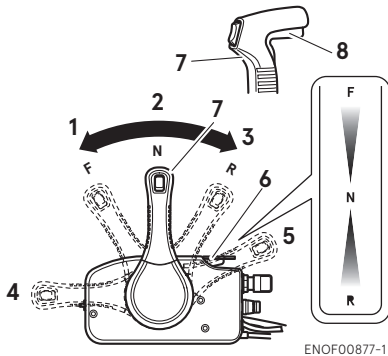
**Tiller handle type**

ENOW00865-C

**CAUTION**

Do not force to shift when the throttle grip is not in the fully closed position, otherwise, steering system and/or shifting mechanism may be damaged. The shift lever is inoperative unless the throttle grip is in the fully closed position. (Multi-function tiller type)

ENOM00900-0

**Side mount RC type**

1. Forward (F)
2. Neutral (N)
3. Reverse (R)
4. Fully opened (Forward)
5. Fully opened (Reverse)
6. Free throttle lever
7. Control lever
8. Neutral lock arm

**Forward**

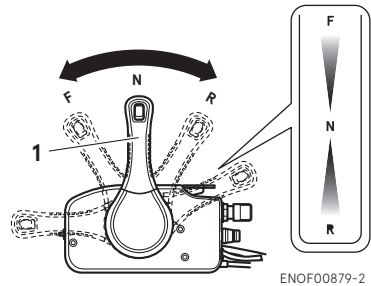
1. Quickly push the control lever to the Forward (F) position 32°, where the gear is connected, while lifting up on the neutral lock arm located under the control lever grip.
2. Further forward motion will open the throttle.

**Reverse**

1. Quickly pull the control lever to the Reverse (R) position at 32°, where the gear will be connected, while lifting up on the neutral lock arm located under the control lever grip.
2. Further rearward motion will open the throttle.

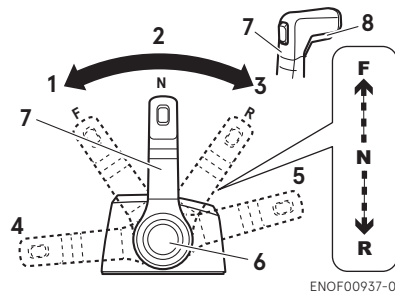
**Acceleration**

After shifting, advance the control lever gradually to accelerate.



1. Control lever

ENOM00975-A

**Top mount RC type**

1. Forward (F)
2. Neutral (N)
3. Reverse (R)
4. Fully opened (Forward)
5. Fully opened (Reverse)
6. Neutral throttle button
7. Control lever
8. Neutral lock arm

**Forward**

1. Quickly push the control lever to the Forward (F) position 35°, where the gear is connected, while lifting up on the neutral lock arm located under the control lever grip.
2. Further forward motion will open the throttle.

**Reverse**

1. Quickly pull the control lever to the Reverse (R) position at 35°, where the gear is connected, while lifting up on the neutral lock arm located under the control lever grip.
2. Further rearward motion will open the throttle.

**Acceleration**

After shifting, advance the control lever gradually to accelerate.

ENOM00049-A

**5. Stopping the engine**

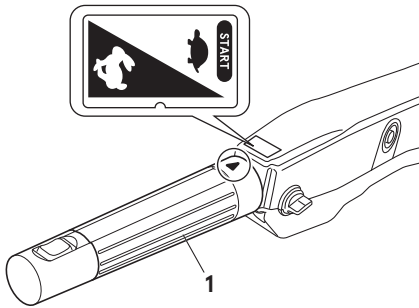
ENOW00868-1



**Be careful not to remove engine stop switch lanyard from engine accidentally while boat is running. Sudden stop of engine can cause loss of steering control, speed, possibly leading the crew(s) and or objects on the boat to be thrown forward due to inertial force.**

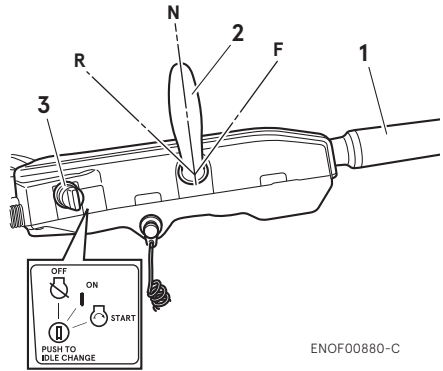
**Tiller handle type**

1. Turn the throttle grip to the slow position.



ENOF00866-2

2. Put the shift lever in the Neutral position.  
Run the engine for 2-3 minutes at idling speed for cooling down if it has been running at full speed.

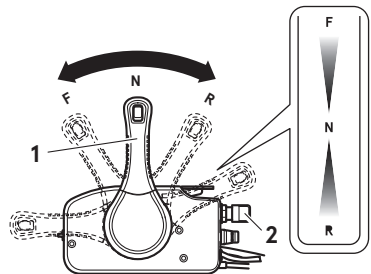


ENOF00880-C

1. Throttle grip
  2. Shift lever
  3. Main switch key
3. Turn the main switch key to the OFF position.

**Side mount RC type**

1. Put the control lever in the Neutral position and run the engine for 2-3 minutes at idling speed for cooling down if it has been running at full speed.

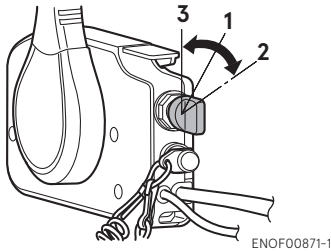


ENOF00881-1

1. Control lever
2. Main switch key



- Turn the main switch key to the OFF position.



- ON
- START
- OFF

ENOW00869-1

**WARNING**

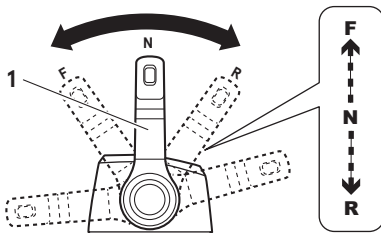
After stopping the engine:

- Close the air vent screw on the fuel tank cap.
- Disconnect the fuel connector from the engine and the fuel tank.
- Disconnect the battery cable, after each use.

ENOM00975-0

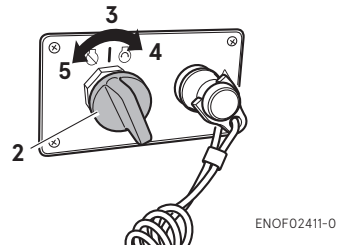
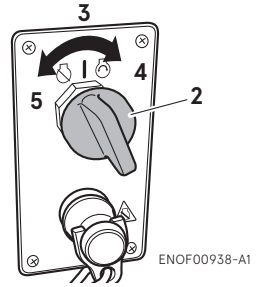
**Top mount RC type**

- Put the control lever in the Neutral position and run the engine for 2-3 minutes at idling speed for cooling down if it has been running at full speed.



- Control lever

- Turn the main switch key to the OFF position.



- Main switch key
- ON
- START
- OFF

ENOW00869-1

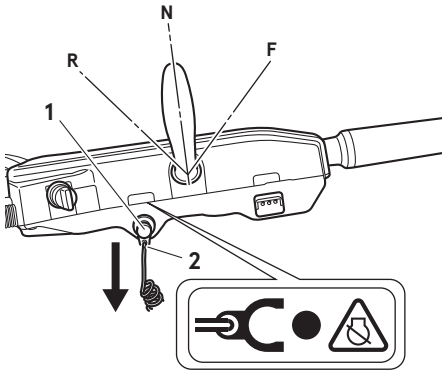
**WARNING**

After stopping the engine:

- Close the air vent screw on the fuel tank cap.
- Disconnect the fuel connector from the engine and the fuel tank.
- Disconnect the battery cable, after each use.

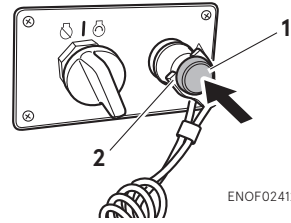
**Emergency engine stopping**

Press the emergency stop switch or remove stop switch lock to stop the engine.



ENOF00883-2

1. Stop switch
2. Stop switch lock



ENOF02412-0

1. Stop switch
2. Stop switch lock

ENOM00910-1

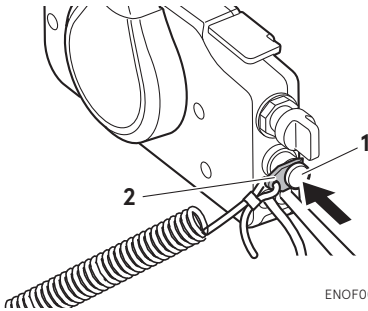
**Spare emergency stop switch lock  
(For CE marking model)**

A spare emergency stop switch lock is provided in the accessories bag.

Make sure that spare stop switch lock is available before operating outboard motor.

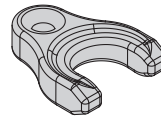
When used as described, the emergency stop switch clip and emergency stop switch lanyard system stops the engine if the operator is thrown overboard. When an operator falls into water, be sure to use spare emergency stop switch lock.

7

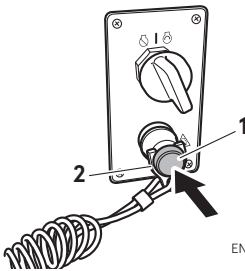


ENOF00869-A

1. Stop switch
2. Stop switch lock



ENOF00891-0



ENOF00938-B1

ENOM00920-0

## 6. Steering

ENOW00870-1

### WARNING

Sudden steering may cause passenger(s) to be thrown overboard or fall.

### Tiller handle type

#### Right turn

Move the tiller handle to the left

#### Left turn

Move the tiller handle to the right.



ENOF00892-0

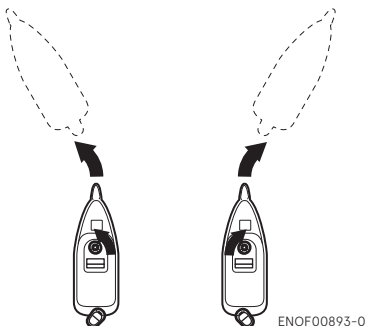
### Remote control type

#### Right turn

Turn the steering wheel to the right.

#### Left turn

Turn the steering wheel to the left.



ENOF00893-0

ENOM01815-0

## 7. Trim angle

ENOW00043-1

### WARNING

- Adjust the trim angle when the engine is stopped.
- Do not put hand or finger in between outboard motor body and clamp bracket when adjusting trim angle to prevent possible injury.
- Unsuitable trim position can cause loss of control of boat. When testing a trim position, run the boat slowly initially to see if it can be controlled safely.

ENOW00044-1

### WARNING

Excessive trim up or down may cause unstable boat operation, loss of control that may lead to accident during cruising.

- For manual tilt model, If you feel the trim is improperly positioned, stop the boat and readjust trim angle before continuing to cruise.
- For outboard motor model with PT or PTT switch on the bottom cowl, do not operate the switch during while cruising, or control of boat may be lost.

The trim angle of the outboard motor can be adjusted to suit the transom angle of the hull, and load conditions. Choose an appropriate trim angle that will allow the anti-ventilation plate to run parallel to the water surface during operation.

ENOM01817-0

### Power Trim & Tilt type

The provided power trim & tilt can be adjusted to set the desired trim angle of the outboard motor according to the transom shape, planing speeds and load.

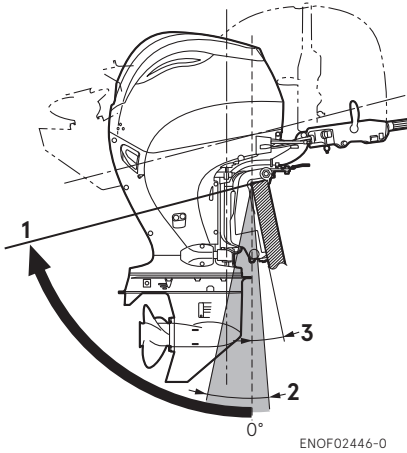
It is imperative that the trim angle is adjusted correctly. Incorrect adjustment will cause the boat to sway, deteriorate engine performance and may cause unsafe steering conditions.

ENOW00970-0

**CAUTION**

The power trim & tilt can be set to any trim angle. However, do not use the tilt angle range when cruising except shallow water operation. It may ingest air into the water cooling system, resulting in engine overheating.

7



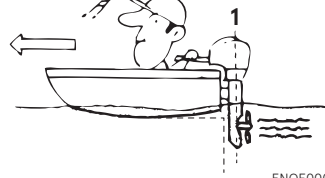
ENOF02446-0

- 1. Max.tilt angle : 63° from the vertical
- 2. Trim angle : -4 to 10°
- 3. Boat transom angle : -12°

ENOM01808-0

**Proper trim angle**

The trim angle is optimum when the boat is parallel to the water surface while running.



ENOF00051-1

- 1. Perpendicular to the water surface

ENOM01809-0

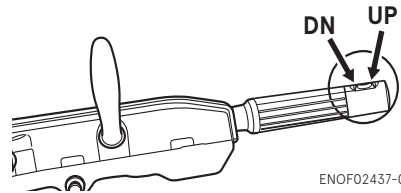
**Improper trim angle (bow rises too high)**

When the trim angle is excessive, the bow will rise out of the water and the speed will decrease. Furthermore, the bow may sway or the bottom may slam the water while running.

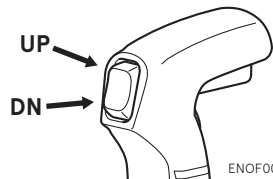


ENOF00052-0

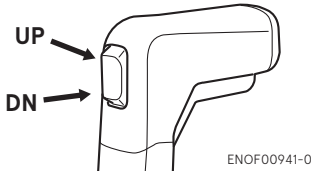
Decrease the trim angle by pressing "DN"(Down) of power trim & tilt switch.



ENOF02437-0



ENOF00067-2



ENOF00941-0

ENOM01818-0

**Improper trim angle (bow dips into the water)**

When the trim angle is too small, the bow will dip into the water, the speed will decrease, and water may enter the boat.



ENOF00053-0

Increase the trim angle by pressing "UP" of power trim & tilt switch.

ENOM01819-0

**Trim meter**

When the trim angle is set as desired, take a reading off the trim meter, and record it for future reference.

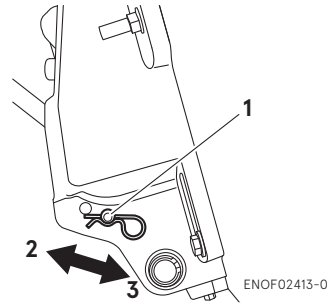


JNOF00807-1

ENOM01820-0

**Trust rod adjustment**

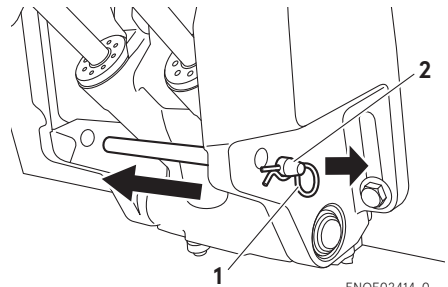
The trim angle at full tilt down is adjustable by selected the thrust rod position.



ENOF02413-0

- 1. Thrust rod
- 2. Higher
- 3. Lower

1. Stop the engine.
2. Shift into neutral position.
3. Tilt up the outboard motor.
4. Lock the tilt stopper.
5. Remove the Snap pin and thrust rod as shown in the picture.



ENOF02414-0

1. Snap pin
2. Thrust rod
6. Reinstall the thrust rod in the desired position securely.
7. Put the Snap pin back and unlock the tilt stopper.
8. Gently tilt down the outboard motor.

ENOM00060-A

## 8. Tilt up and down

ENOW00055-1

### WARNING

Do not tilt the outboard motor up or down when swimmer(s) and/or passenger(s) are near to prevent them from being caught between outboard motor body and clamp bracket.

ENOW00048-1

### WARNING

When tilting up or down, be careful not to place your hand between the swivel bracket and the stern bracket.

ENOW00056-A

### WARNING

When tilting up outboard motor with fuel joint for over a few minutes, be sure to disconnect fuel hose, or fuel may leak, potentially catching fire.

ENOW00057-1

### CAUTION

Do not tilt up the outboard motor while engine is operating, or no cooling water may be discharged, leading to engine seizure due to overheating.

ENOW00071-0

### CAUTION

Do not use tilt stopper or lever when trailering the boat. Use only for holding the outboard motor in the fully tilted up while the boat is stored.

ENON00921-1

### Note

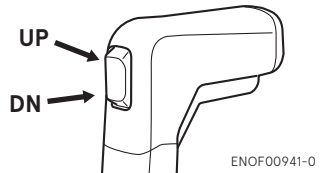
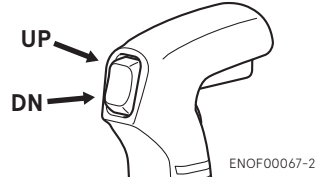
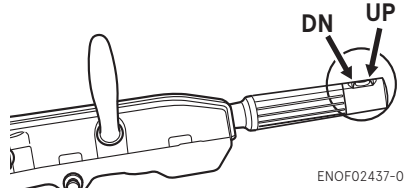
After use, leave the outboard motor upright for a minute to drain the water from inside the engine.

ENOM01810-0

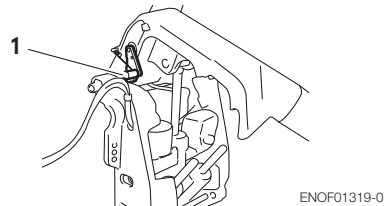
## Power Trim & Tilt type

### Tilt up

1. Press the power trim and tilt switch "UP" until the motor has been tilted up completely.

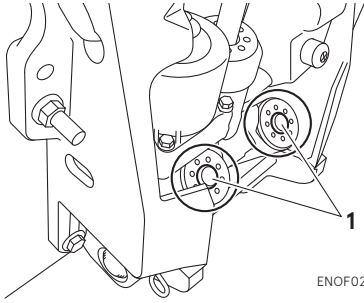


2. Pull the tilt stopper down as shown below drawing.



1. Tilt stopper

- Press the power trim and tilt switch "DN" (Down) until the trim rods has been retracted completely.

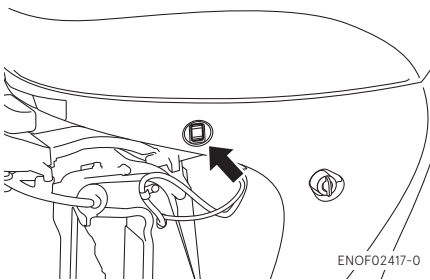


- Trim rod

**Tilt down**

- Release the tilt stopper from the set-up position while slightly tilting up outboard motor.
- Operate the Power Trim & Tilt switch and tilt the outboard motor down until the motor touches to the thrust rod.

The outboard motor can also be tilted up and down using the switch provided on the bottom cowl.



It is possible to tilt up or down whether or not the main switch is "ON" or "OFF".

ENOM00940-1

**Manual relief valve**

If the battery is dead, and/or the power tilt switch is inoperative open the manual valve completely in the Manual direction. This allows the outboard motor to be tilted manually.

ENOW00872-1

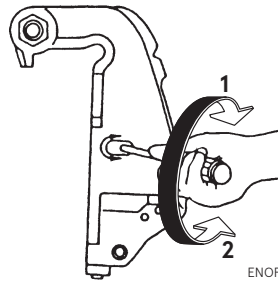


**Make sure the manual relief valve is closed before operating the outboard motor. If the manual relief valve is not closed, the outboard motor will be tilted up when shifting in reverse.**

ENOW00873-1



**Before opening the manual relief valve, make sure nobody is under the outboard motor. If the outboard motor is in the tilted up position with the manual relief valve loosend, the outboard motor will be tilted down suddenly.**



- Power
- Manual

Manual relief valve specified torque:  
**3 N·m (2.2 ft·lb, 0.3 kgf·m)**

ENOM00068-A

## 9. Shallow water operation

ENOW00051-0

### WARNING

During shallow water operation, be careful not to place your hand between the swivel bracket and the clamp bracket. Be sure to tilt the outboard motor down slowly.

ENOW00053-0

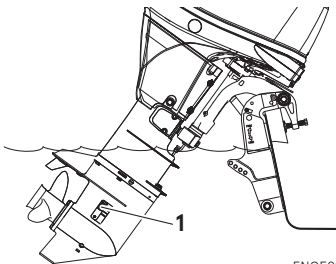
### CAUTION

While in shallow water drive position, do not operate the outboard motor in Reverse. Operate the outboard motor at slow speed and keep the cooling water intake submerged.

ENOW00054-1A

### CAUTION

Do not over tilt the outboard motor when driving in shallow water, or air may be sucked through water inlet, potentially leading to engine overheating.



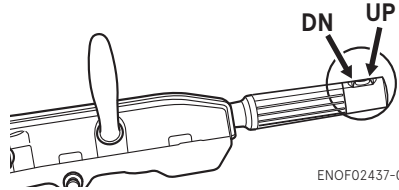
ENOF01144-A

1. Water inlet

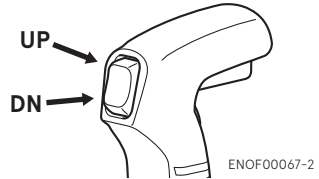
ENOM00069-A

## Power Trim & Tilt type

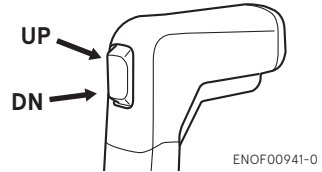
1. Operate the Power Trim & Tilt switch and tilt the outboard motor up into desired shallow water running position.



ENOF02437-0



ENOF00067-2



ENOF00941-0



# REMOVING AND CARRYING THE OUTBOARD MOTOR

ENOM00070-A

## 1. Removing the outboard motor

ENOW00006-1B

### WARNING

To avoid personal injury or damage of equipment, make sure the allowable lifting capacity of the hoist is at least twice the weight of the outboard motor.

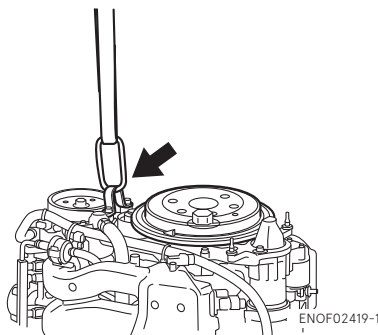
Do not allow the lift hook or chain from the hoist to come in contact with any part of the outboard motor during lifting.

ENOW00064-1

### CAUTION

Engine may be hot immediately after operation and could cause burns if came in contact. Allow engine to cool down before attempting to carry the outboard.

1. Stop the engine.
2. Remove the top cowl.
3. Disconnect the fuel connector, the remote control cables and the battery cords from the outboard motor.
4. Attach the hoist hooks to the engine hanger.
5. Remove the outboard motor from boat and completely drain the water from the gear case.



ENOM00071-A

## 2. Carrying the outboard motor

ENOW00933-0

### WARNING

Be sure to disconnect fuel connector except when operating engine. Fuel leakage is a fire or explosion hazard, which can cause serious injury or death.

ENOW00065-1

### WARNING

Close air vent screw on fuel tank before carrying or storing outboard motor and fuel tank, or fuel may leak, potentially catching fire.

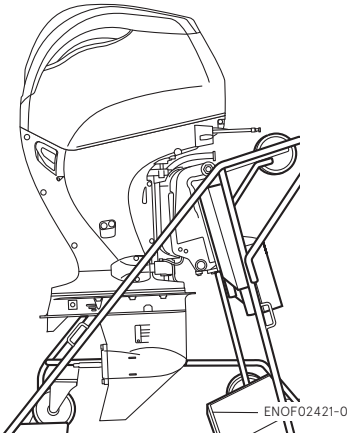
ENOW00968-1

### CAUTION

Do not give a shock to an outboard motor during transportation.

Keep the outboard motor in a vertical position when carrying.

The optional outboard motor stand is recommended for keeping the outboard motor vertical both during transport and storage.



ENOM00072-1A

8

### 3. Trailering

ENOW00072-0

#### CAUTION

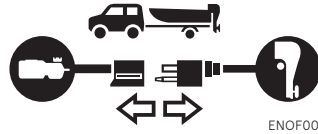
Trailering in the tilted position may cause damage to the outboard motor, boat, etc.

ENOW00971-0

#### WARNING

On applicable models remove the fuel connector and fuel line except when operating engine.

Fuel leakage is a fire or explosion hazard, which can cause serious injury or death.



ENOF00075-1

ENOW00068-0

#### WARNING

Close air vent screw of fuel tank and fuel cock before carrying or storing outboard motor and fuel tank, or fuel may leak, potentially catching fire.

ENOW00071-0

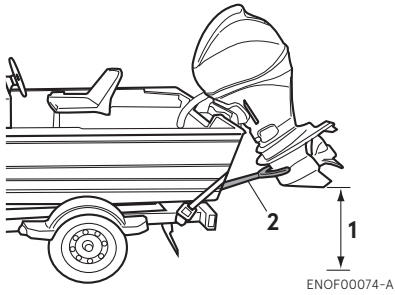
#### CAUTION

Do not use tilt stopper or lever when trailering the boat. Use only for holding the outboard motor in the fully tilted up while the boat is stored.

When transporting a boat on a trailer with the outboard motor still attached, disconnect the fuel line from the outboard motor beforehand and keep the outboard motor in the normal running position or on a transom saver bar.

#### Tiller handle type

While transporting outboard motor attached to the boat on a trailer, properly tighten the steering friction bolt to prevent the outboard motor from moving (page 60).



1. Ground clearance should be provided sufficiently.
2. Transom saver bar

ENOW00067-0

**⚠ WARNING**

**Do not go under outboard motor tilted up even if it is supported by support bar, or accidental fall of outboard motor could lead to severe personal injury.**

# ADJUSTMENT

ENOM00073-0

## 1. Steering friction

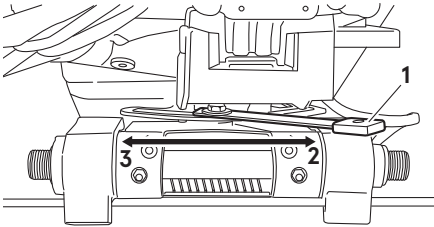
### Tiller handle type

ENOW00074-1

#### WARNING

**Do not overtighten the steering friction lever, it could result in difficult handling of the outboard motor, resulting in the loss of control causing an accident and could lead to severe injury.**

Adjust this lever to achieve the desired steering friction (drag) on the tiller handle. Move lever towards (2) to decrease friction and move lever towards (3) to increase friction.



ENOF00910-A

1. Steering friction lever
2. Decrease
3. Increase

ENOM00074-A

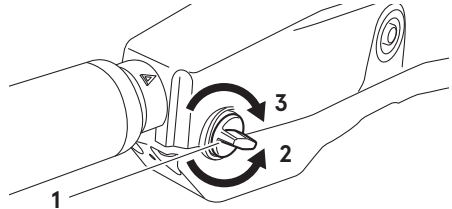
## 2. Throttle grip friction

ENOW00074-1B

#### WARNING

**Do not overtighten the throttle adjustment screw or it could result in difficult handling of the outboard motor, resulting in the loss of control causing an accident and could lead to severe injury.**

Friction adjustment of the throttle grip can be made with the throttle adjustment screw.



ENOF00911-1

1. Throttle friction adjustment screw
2. Decrease
3. Increase

ENOM00075-1

## 3. Remote control lever friction

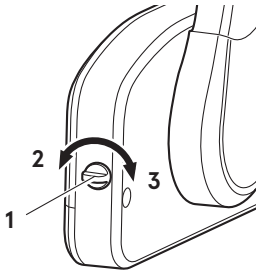
ENOW00074-1C

#### WARNING

**Do not overtighten the remote control throttle friction adjustment screw or it could result in difficult handling of the outboard motor, resulting in the loss of control causing an accident and could lead to severe injury.**

To adjust the friction of the remote control lever, turn the throttle friction adjustment screw on the front of the remote control. Turn clockwise to increase the friction and counter-clockwise to decrease it.

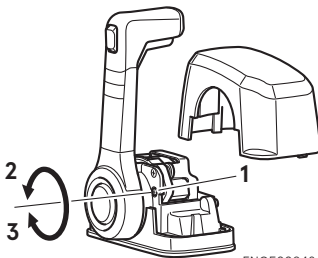
### Side mount type



ENOF00078-2

1. Throttle friction adjustment screw
2. Decrease
3. Increase

### Top mount type



ENOM00942-0

1. Throttle friction adjustment screw
2. Lighter
3. Heavier

ENOM00076-0

## 4. Trim tab adjustment

ENOW00076-1

### ! WARNING

- Be sure that the outboard motor is secured to transom or service stand, or accidental drop or fall of outboard motor could lead to severe personal injury.
- Be sure to lock the outboard motor in the tilt up position, or accidental fall of outboard motor could lead to severe personal injury.
- Do not go under outboard motor in the tilt up position and locked, or accidental fall

of outboard motor could lead to severe personal injury.

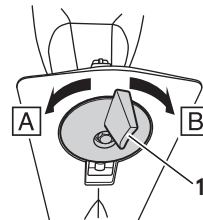
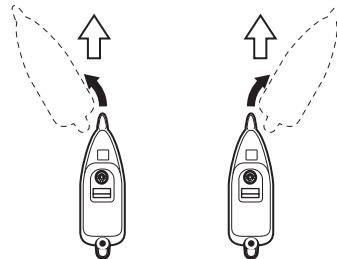
ENOW00075-1

### ! WARNING

Inappropriate adjustment of trim tab could cause steering difficulty. After installing or readjusting trim tab, check if steering load is even.

If straight-line cruising cannot be achieved, adjust the trim tab located under the anti-ventilation plate.

- If the boat veers toward the left, direct the trim tab towards A (left from rear of boat).
- If the boat veers toward the right, direct the trim tab towards B (right from rear of boat).



ENOF02449-0

1. Trim tab

ENON00022-A

### Notes

- After adjustment securely tighten the trim tab fixing bolt.
- Check for looseness of the bolt and the trim tab at regular intervals.

NOM01903-0

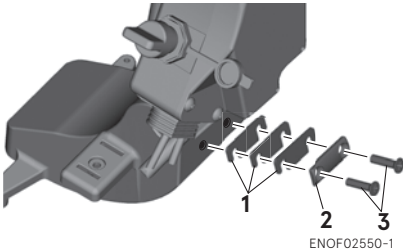
## 5. Multi-function tiller handle angle adjustment

ENOW00985-0

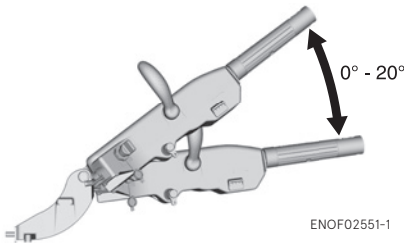
### WARNING

- Do not install or remove spacers on the bracket with engine running.
- Do not install more than 6 spacers [ 1 ].

The angle of the multi-function tiller handle can be adjusted between 0 and 20 degrees by using the spacer kit that comes with the multi-function tiller handle.



1. Spacer [1]
2. Spacer [2]
3. Screw



### ■ Angle of Multi-Function Tiller Handle according to the number of spacers.

Spacer [1] (Qty)	Spacer [2] (Qty)	Angle (approx)
0	0	0°
0	1	0°
1	1	3°
2	1	7.5°
3	1	12°
4	1	16°
5	1	20°

After adjusting the angle, fully turn the tiller handle to both side and check that there is no problem in operation.

ENON00022-A

### Notes

- Tighten the screws securely.
- Periodically make sure that the bolts are not loose.
- The multi-function tiller handle kit includes 3 spacer [1], 1 spacer [2] and screws.

## INSPECTION AND MAINTENANCE

ENOM00077-1

### Care of your outboard motor

To keep your outboard motor in the best operating condition, it is very important that you perform daily and periodic maintenance as suggested in the maintenance schedules as follows.

ENOW00077-1

#### CAUTION

- Your personal safety and that of your passengers depends on how well you maintain your outboard motor. Carefully read all of the inspection and maintenance procedures described in this section.
  - The maintenance intervals shown in the checklist apply to an outboard motor in normal use. If you use your outboard motor under severe conditions such as frequent full-throttle operation, frequent operation in brackish water, or for commercial use, maintenance should be performed at shorter intervals. If in doubt, consult your dealer for advice.
  - We strongly recommend that you use only genuine replacement parts on your outboard motor. Damage to your outboard motor arising from the use of other than genuine parts is not covered under the warranty.
-

ENOM00079-0

## 1. Daily Inspection

Perform the following checks before and after use.

ENOW00078-1

### WARNING

**Do not use outboard motor if any abnormality is found during pre-operation check otherwise it could result in severe damage to the motor or severe personal injury.**

Item	Points to Check	Remedy
<b>Fuel System</b>	<ul style="list-style-type: none"> <li>Check the amount of fuel in the tank.</li> <li>Check for debris or water in the fuel filters.</li> <li>Check the rubber hoses for fuel leakage.</li> </ul>	Replenish Clean or replace if necessary Replace if necessary
<b>Fuel Tank Cap</b>	<ul style="list-style-type: none"> <li>Check for crack, leakage, damage in the fuel tank cap.</li> <li>Check for leakage at full close.</li> </ul>	Replace if necessary Replace if necessary
<b>Engine Oil</b>	<ul style="list-style-type: none"> <li>Check the oil level.</li> </ul>	Fill oil
<b>Electrical Equipment</b>	<ul style="list-style-type: none"> <li>Check that the main switch functions normally.</li> <li>Check that the battery electrolyte level and specific gravity are normal.</li> <li>Check for loose connections on the battery terminal.</li> <li>Check that the stop switch functions normally and make sure the stop switch lock is secured.</li> <li>Check cords for loose connections and damage.</li> <li>Check the spark plugs for dirt, wear and carbon build-up.</li> <li>Check the warning buzzer (one beep) and warning LED lamp (ON for 1 secs.) when key is ON.</li> </ul>	Replace if necessary Replenish or recharge Retighten Remedy or replace if necessary Correct or replace if necessary Clean or replace if necessary Repair
<b>Clutch and Propeller System</b>	<ul style="list-style-type: none"> <li>Check that clutch engages correctly when operating the shift lever.</li> <li>Visually check propeller for bent or damaged blades.</li> <li>Check the propeller nut is tightened and the split pin is in correct position.</li> </ul>	Adjust Replace if necessary Tighten or replace
<b>Installation of Motor</b>	<ul style="list-style-type: none"> <li>Check all the bolts attaching the motor to the boat.</li> <li>Check the thrust rod installation.</li> </ul>	Tighten Replace if necessary
<b>Power Trim &amp; Tilt</b>	<ul style="list-style-type: none"> <li>Check working of the tilt up and down of the motor.</li> </ul>	Repair
<b>Cooling Water</b>	<ul style="list-style-type: none"> <li>After starting the outboard motor, make sure that water is being discharged from the cooling water check port.</li> </ul>	Repair
<b>Tools and Spares</b>	<ul style="list-style-type: none"> <li>Check that there are tools and spare parts for replacing spark plugs, the propeller, etc.</li> <li>Check that you have the spare stop switch lock.</li> </ul>	Order Order
<b>Steering Devices</b>	<ul style="list-style-type: none"> <li>Check the operation of the steering handle.</li> </ul>	Repair



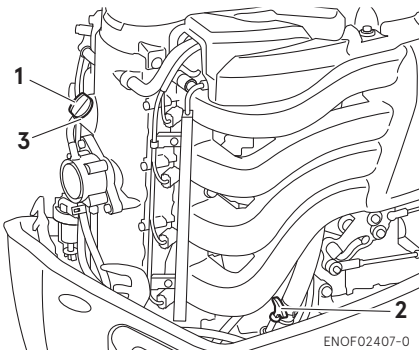
Item	Points to Check	Remedy
Other parts	<ul style="list-style-type: none"> <li>Make sure that steering handle and remote control is functioning normally.</li> <li>Check the anode for corrosion and deformation.</li> </ul>	Repair if necessary Replace

ENOM01823-0

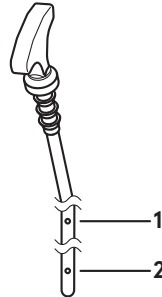
## Oil level checking

If the oil level is low, or too high, the life of the engine will be shortened significantly.

1. Stop the engine and place the out-board motor in a vertical position.
2. Turn the top cowl hook levers to unlock, lift and remove the top cowl.
3. After the engine has been shut off 5 minutes, remove the dipstick and wipe oil off with a clean cloth.
4. Insert the dipstick to the hole completely.
5. Remove the dipstick. Oil level must be between the upper limit and lower limit shown on the dipstick.
6. If the oil level is below the lower limit, add the oil to between the upper and lower limit mark on the dipstick.



1. Filler cap
2. Dipstick
3. Filler port



1. Upper limit 4200 mL (4.4/3.7 US/Imp qt.)
2. Lower limit 2200 mL (2.3/1.9 US/Imp. qt.)

ENON00024-0

### Note

The oil level should be checked when the engine is cooled.

ENON00025-0

### Note

Consult with an authorized dealer if the engine oil is milky color, or appears contaminated.

ENOM00082-A

## Engine oil replenishing

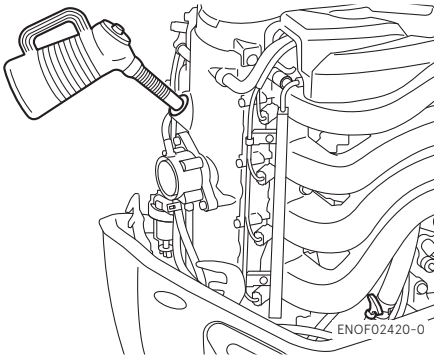
ENOW00972-0

### ⚠ CAUTION

- Do not add or mix different brands of engine oil or grade with existing oil. In case engine oil of other brand or grade is added, drain all oil and ask dealer for treatment.
- In case other than engine oil such as gasoline is put in the oil chamber, empty the chamber and ask dealer for treatment.
- When replenishing engine oil, be careful not to allow entry of foreign matters such as dust and water into oil chamber.

- Wipe off engine oil well immediately if spilled and dispose of it in accordance with local fire prevention and environment protection regulations.
- Do not replenish engine oil over upper limit. If overfilled, remove oil to upper limit. If engine oil is over the upper limit, it can leak potentially leading to engine damage.

If the oil level is low, or at lowest mark, add recommended oil to the middle dipstick mark.



ENOM00083-1

### Washing outboard motor

ENOW00920-0

## ⚠ CAUTION

When washing the outboard motor, be careful not to spray the water inside of the top cowl, especially electrical components.

ENON00026-0

### Note

It is recommended to check chemical properties of water on which your outboard motor is regularly used.

If outboard motor is used in salt water, brackish water or water with a high acidic level, use fresh water to remove salt,

chemicals or mud. And flush cooling water passage after every cruising or before storing outboard motor for long time. Before flushing, remove the propeller and the forward thrust holder.

ENOM00085-E

### Flushing hose joint

ENOW00921-0

## ⚠ CAUTION

Do not operate the engine when flushing the outboard motor with a hose joint as this can cause damage to the outboard motor.

ENOW00922-0

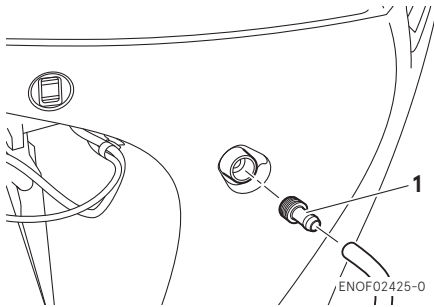
## ⚠ CAUTION

To prevent the engine from starting when you are near the propeller, remove the stop switch lock.

1. Tilt down the outboard motor.
2. Remove the flushing connector cap from the outboard motor, and screw in the hose joint.
3. Connect a water hose. Turn on the water and adjust the flow.

Continue flushing the outboard motor for 3 to 5 minutes

4. After the flushing, be sure to reattach the flushing connector cap.
5. Tilt up the outboard motor.



1. Hose joint

ENOM00085-A

**Flushing by test tank**

ENOW00081-1

**! WARNING**

Do not start engine without removing propeller, turning propeller out in the open may lead to personal injury.

ENOW00082-0

**! WARNING**

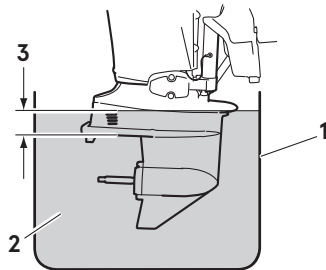
Never start or operate the engine indoors or in any space which is not well ventilated. Exhaust gas contains carbon monoxide, a colorless and odorless gas which can be fatal if inhaled for any length of time.

ENOW00036-1A

**! CAUTION**

When starting the outboard motor in the test tank, make sure that:

1. Water level is at least 10 cm (4 in.) above the anti-ventilation plate to avoid overheating of the engine.
2. Run at idling only
3. Remove the propeller (See page 77)



1. Test tank
2. Water
3. Over 10 cm (4 in.)

ENOM01903-A

**Gear case flushing device**

ENOW00082-0

**! WARNING**

Never start or operate the engine indoors or in any space which is not well ventilated. Exhaust gas contains carbon monoxide, a colorless and odorless gas which can be fatal if inhaled for any length of time.

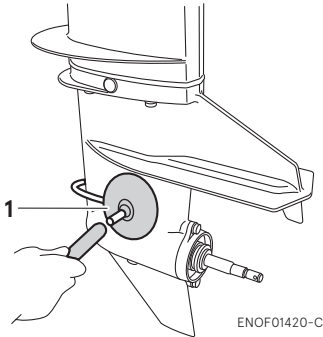
ENOW00986-0

**! CAUTION**

Never leave the outboard motor unattended while running on the flushing device. When the flushing device slip off from the gear case, the engine will overheat and may cause serious damage.

1. Fully tilt down the outboard motor.
2. Remove the propeller.
3. Install the gear case flushing device on gear case so that the rubber cups cover the cooling water inlets tightly.

- Connect a water hose to the flushing device and turn on the water and adjust the flow so that excess water continues leaking out from around the rubber cups to ensure the engine is receiving an adequate supply of cooling water.



- Gear case flushing device
- Place the shift lever in the neutral position and start the engine and run at idle speed for 3-5 minutes.
- Check if a steady stream of water flows from the cooling water check port.
- Stop the engine and turn off the water. Remove the flushing device. Install the propeller.
- Leave the outboard motor in vertical position to completely drain the cooling water from the outboard motor.

10

ENOM00950-1

## Fuse replacement

ENOW00923-1

### ⚠ CAUTION

**Before replacing a fuse, disconnect the battery cable from the battery negative (-) terminal first. Failure to properly remove battery cables may cause a short-circuit.**

ENOW00924-0

### ⚠ CAUTION

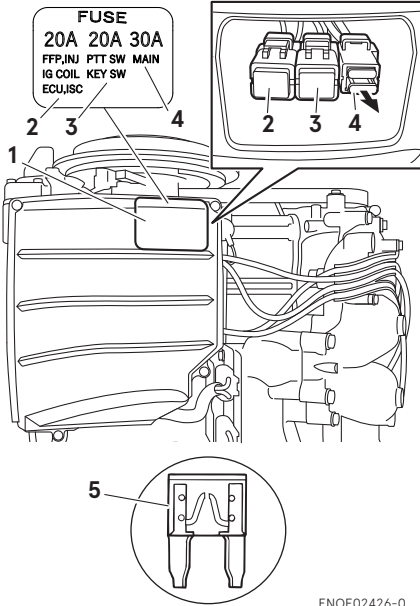
**Never use a fuse with a rating that exceeds the specified rating as this could cause serious damage to the electrical system.**

If the fuse is blown, try to determine the cause and respond to the problem as simply replacing the fuse will likely be blown again. If you are unable to respond to the cause or the fuse continues to blow, request an authorized Tohatsu dealer for inspection.

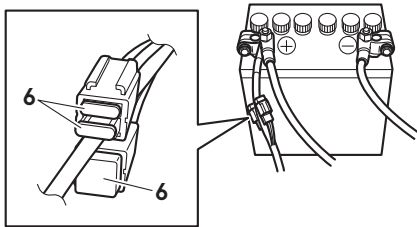
ENOM01816-0

- Stop the engine and disconnect the battery cable from the battery (-) negative.
- Turn the top cowl hook levers to unlock, lift and remove the top cowl.
- Remove the grommet from the electric bracket cover.
- Remove the fuse cover.

- Remove the fuse and check it. If the fuse is blown, replace to the supplied spare fuses in the spare fuse holder.



- Grommet
- 20A
- 20A
- 30A
- Blown fuse



- 50A

ENOM01106-1

## 2. Periodic Inspection

It is important to inspect and maintain your outboard motor regularly. Make sure to perform each service at interval specified in the chart below. Maintenance intervals are determined by the number of hours outboard motor has been used or number of months, whichever comes first.

Record inspection performed in the INSPECTION & MAINTENANCE LOG at the back of this manual.

Description		Inspection intervals					Inspection procedure	Remarks
		First 20 hours or 1 month	Every 50 hours or 3 months	Every 100 hours or 6 months	Every 200 hours or 1 year	Every 400 hours or 2 year		
Fuel System	Fuel filter			●/○			Check and clean or Replace if necessary. (See page 75)	
	High pressure fuel filter						Replace (Every 200 hours or 2 years)	
	High pressure fuel hose	●/○	●/○				Check/Replace if necessary	
	Fuel tank	●/○	●/○				Check and clean (See page 74)	
	Fuel tank cap	●/○	●/○				Check/Replace if necessary.	
	Fuel pump					○	Check/Replace if necessary.	
	Fuel pressure				○		Check	
	Hose	●/○	●/○				Check/Replace if necessary.	
Ignition System	Spark plug			●			Check and clean. (See page 78)	0.8-0.9 mm (0.031-0.035 in)
	Spark plug cap/High tension cord	○		○			Check/Replace if necessary.	
Starting System	Starter motor				○		Check	
	Battery/Cable connection	○	○				Check	
Engine	Engine oil	● Replace		● Replace			Replace. (See page 65)	Approx 4200 mL (4.44 US qt.) with filter replacement)
	Oil filter	○ Replace			○ Replace		Replace every 200 hrs or 1 years (See page 74)	
	Valve Clearance				○		Check and adjust	
	Timing belt				○		Check/Replace if necessary.	
	Compression pressure				○		Check	
	Combustion chamber					○	Clean	
	Thermostat			○			Check/Replace if necessary	

\*\*●\*\* This procedure can be performed by end user.

\*\*○\*\* This procedure shall be carried out by the dealer.

Description		Inspection intervals					Inspection procedure	Remarks
		First 20 hours or 1 month	Every 50 hours or 3 months	Every 100 hours or 6 months	Every 200 hours or 1 year	Every 400 hours or 2 year		
Lower Unit	Propeller	●	●				Check/Replace if necessary. (See page 77)	
	Shear pin/Split pin	●	●				Check/Replace if necessary	
	Gear oil	● Replace	●	● Replace			Change and replace. (See page 75)	Approx.1000 mL (34 fl.oz.)
	Water strainer	●	●				Check	
	Water pump impeller		●/○		○ Replace		Check/Replace if necessary.	
	Water pump housing*1					○	Check/Replace if necessary.	
Shift/Throttle	Throttle cable			●			Check/Replace if necessary.	
	Throttle link	○	○				Check and adjust.	
	Shift cable		○				Check/Replace if necessary.	
	Shift link	○	○				Check and adjust.	
Power trim & tilt		●/○		●/○			Check & replenish	
Warning system			○				Check	
Stop switch		●	●				Check	
Meters		○	○				Check	
Bolt, Nut		○	○				Retighten	
Sliding Part/Rotation part		●	●				Apply grease. (See page 84)	
Grease nipple		●	●				Pump in grease	
Outer equipment		●	●				Check	
Anode (engine)				○			Check/Replace if necessary.	
Anode (except for engine)			●/○				Check/Replace if necessary.	
Top cowl/Ratch					●/○		Check and adjust.	

\*"●" This procedure can be performed by end user.

\*"○" This procedure shall be carried out by the dealer.

Outboards used in rental, commercial, or other under severe condition as described below in detail require more frequent inspections and maintenance than shown in this manual.

- Continuous operation at maximum engine speed
- Continuous operation at idling or trolling speed
- Operation without appropriate warm up
- Stopping without sufficient time for the engine to cool down
- Frequent sudden acceleration and sudden deceleration
- Frequent stop and start operation
- Frequent shifting operation
- Frequent operation in acidic, polluted, muddy, sandy, or shallow water

Appropriate maintenance can prolong your engine life.

Consult your Tohatsu authorized dealer for suitable maintenance interval depending on operating and environmental conditions.

ENOM00091-A

**Engine oil replacement**

ENOW00091-1

**⚠ CAUTION**

You may be injured due to high engine temperatures if you fill engine oil just after operation. Engine oil should be changed after the engine has been cooled.

ENOW00092-1

**⚠ CAUTION**

- Do not overfill engine oil, or engine oil could leak and/or engine could be damaged. If engine oil level is over upper limit marks of dip stick, drain oil to level lower than upper limit.
- Be sure that outboard motor is upright when checking or changing oil.
- Stop the engine immediately if low oil pressure warning lamp or oil leak is found, or engine could be severely damaged. Consult your dealer.
- Wipe off engine oil well immediately if spilled and dispose of it in accordance with local fire prevention and environment protection regulations.

ENOW00090-0

**⚠ CAUTION**

Use of engine oils that does not meet these requirements will result in reducing engine life, and other engine problems.

ENOW00933-0

**⚠ CAUTION**

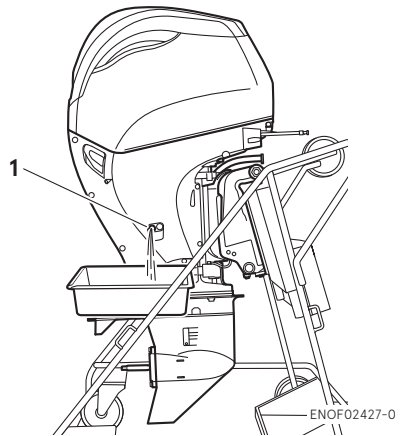
Engine oil mixed with dust or water will dramatically shorten the life of the engine.

ENOM01814-0

**To change engine oil:**

Be sure to use recommended engine oil.

1. Stop the engine and leave it in a vertical position over 5 minutes.
2. Repeat full tilt up and tilt down a few times.
3. Place the outboard motor in a vertical position.
4. Put an oil drain pan under the oil drain bolt.
5. Remove the oil drain bolt and completely drain oil from the engine.



1. Drain hole
6. Apply oil on the sealing surface of the drain bolt. Tighten the bolt with a new gasket.

Oil drain screw specified torque  
**24 N·m (17 ft·lb, 2.4 kgf·m)**

ENON00028-A

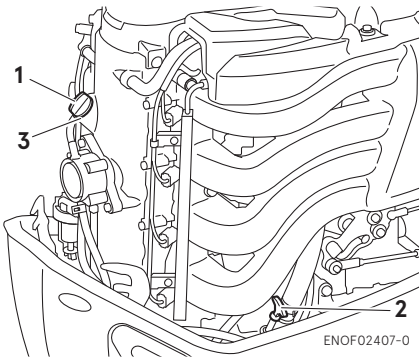
**Note**

If a torque-wrench is not available when you are fitting a oil filter, a good estimate of the correct torque is 3/4 to 1 a turn past finger-tight. Have the oil filter adjusted to the correct torque as soon as possible with a torque-wrench.

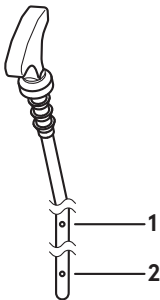
7. Turn the top cowl hook levers to unlock, lift and remove the top cowl.



8. Fill the engine through the filler port with the recommended trapped oil to between the upper and lower limit mark on the dipstick.
9. Tighten the oil filler cap.
10. Leave the outboard motor for 5 minutes and check oil level on the dipstick. Add oil if necessary.
11. Insert the dipstick to the hole completely and install the top cowl.
12. Start the engine and idling for 5 minutes, then check for no oil leaks and no warning indicate.



1. Oil filler cap
2. Dipstick
3. Filler port



1. Upper limit 4200 mL (4.4/3.7 US/Imp qt.)
2. Lower limit 2200 mL (2.3/1.9 US/Imp. qt.)

ENON00920-0

**Note**

Use only recommended engine oil (See page 29)

Oil volume needed for complete oil replacement	
With oil filter replacement	Without oil filter replacement
Approximately 4.2 L (4.4/3.7 US/Imp. qt.)	Approximately 4.0 L (4.2/3.5 US/Imp. qt.)

ENOW00925-0

**CAUTION**

**Wipe off engine oil well immediately if spilled and dispose of it in accordance with local fire prevention and environment protection regulations.**

ENON00031-0

**Note**

- If any amount of water is found in engine oil, making it milky white, consult dealer.
- If engine oil is contaminated with fuel, emitting strong fuel smell, consult dealer.
- Some oil dilution is normal if engine is idled or trolled for long periods, especially in cooler water temperatures.

ENOM00092-A

### Oil filter replacement

ENOW00091-1

#### ⚠ CAUTION

You may be injured due to high engine temperatures if you fill engine oil just after operation. Engine oil should be changed after the engine has been cooled.

ENOW00926-0

#### ⚠ CAUTION

Wipe off engine oil well immediately if spilled and dispose of it in accordance with local fire prevention and environment protection regulations.

1. Drain oil from the engine.
2. Place a rag or towel below the oil filter to absorb any spilled oil.
3. Unscrew old filter by turning the filter to counter-clockwise.
4. Clean the mounting base. Apply film of clean oil to O-ring.

Do not use grease.

Install oil filter and tighten it to specified torque by using oil filter wrench.

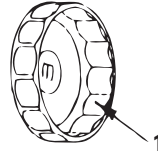
Oil filter torque:

**18 N·m (13 ft·lb, 1.8 kgf·m)**

ENON00028-A

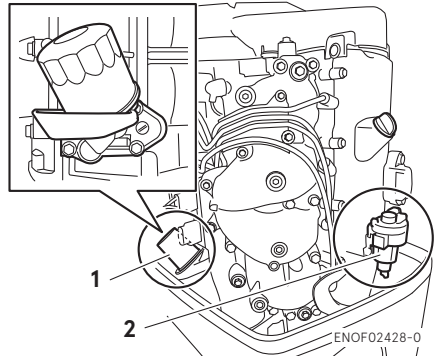
#### Note

If a torque-wrench is not available when you are fitting a oil filter, a good estimate of the correct torque is 3/4 to 1 a turn past finger-tight. Have the oil filter adjusted to the correct torque as soon as possible with a torque-wrench.



ENOF00094-0

1. Oil filter wrench  
P/N 3AC-99090-0  
P/N 3AC99090M  
(US, CANADA Only)



1. Oil filter
2. Fuel filter

ENOF02428-0

ENOM00093-A

### Fuel filters and fuel tank cleaning

ENOW00093-1

#### ⚠ WARNING

Gasoline and its vapor is very flammable and can be explosive.

- Do not start this procedure while engine is operating or while engine is hot.
- Place fuel filter away from every source of ignition such as sparks or open flames.
- If gasoline is spilled, wipe up immediately and dispose according to the local regulations.
- Install fuel filter with all related parts in place, or fuel leak could occur, leading to catching fire or explosion.
- Check fuel system regularly for leakage.

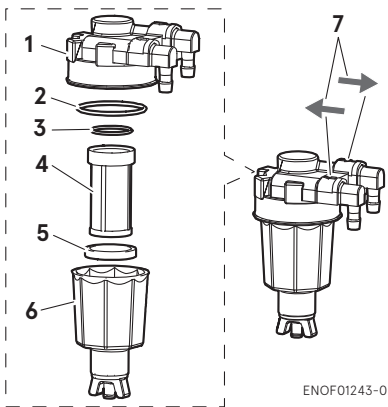
- **Contact authorized dealer for fuel system services. Services by unqualified person could lead to engine damage.**

Fuel filters are provided inside the fuel tank and engine.

ENOM00094-0

### Fuel filter (for engine)

1. Check in the cup for water and debris.



1. Body
2. O-ring
3. O-ring
4. Filter
5. Float
6. Cup
7. Indication of Fuel Flow.

2. If present, disconnect hoses from the fuel connector (male) and the fuel pump.
3. Remove the cup, filter and O-rings from the fuel filter body.
4. Check the wear and clogging for each parts, and replace if necessary.
5. Remove fuel and any water or debris from the cup, filter and hoses.
6. Reassemble all parts.

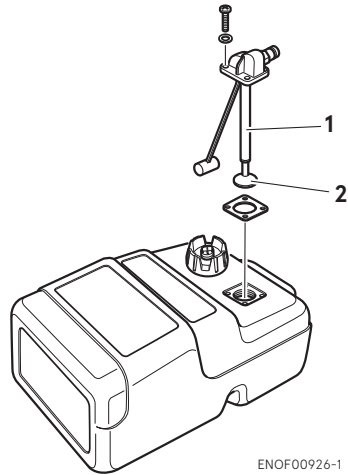
ENOM00096-A

### Fuel filter (for fuel tank)

Water or dirt in the fuel tank will cause engine performance problems.

Check and clean the tank at specified times or after the outboard motor has been stored for a long period of time (over three months).

1. Remove four screws to remove the Fuel Pick-Up.
2. Clean the fuel filter and replace the gasket.
3. Reassemble all parts.



1. Fuel pick-up
2. Filter

ENOM00098-A

### Gear oil replacement

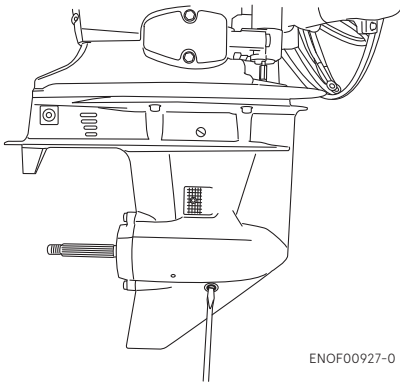
ENOW00076-1

#### **⚠ WARNING**

- **Be sure that the outboard motor is secured to transom or service stand, or accidental drop or fall of outboard motor could lead to severe personal injury.**

- Be sure to lock the outboard motor in the tilt up position, or accidental fall of outboard motor could lead to severe personal injury.
- Do not go under outboard motor in the tilt up position and locked, or accidental fall of outboard motor could lead to severe personal injury.

1. Tilt down the outboard motor.
2. Remove the oil plugs (lower and upper), and completely drain the gear oil into a pan.

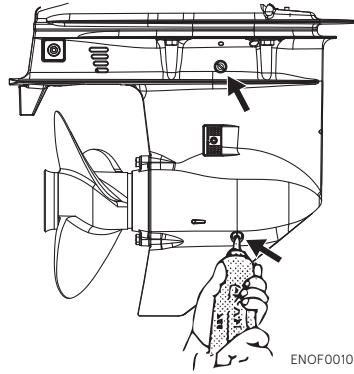


3. Insert the oil tube nozzle into the lower oil plug hole, and fill with gear oil by squeezing the oil tube until oil flows out of the upper plug hole and bubbles is disappeared to remove the air.

ENON00033-1

**Note**

Use genuine gear oil or the ones recommended (API GL-5: SAE #80 to #90).  
Required volume: approx. 1000 mL.



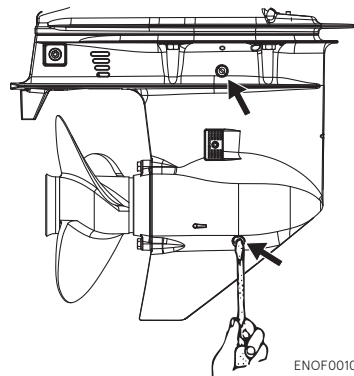
4. Install the upper oil plug, and then remove oil tube nozzle and install the lower oil plug.

Oil plug specified tightening torque  
**4 N·m (3 ft·lb, 0.4 kgf·m)**

ENOW00095-0

**CAUTION**

Do not reuse oil plug gasket. Always use new gasket and tighten oil plug properly to prevent entry of water into lower unit.



ENOW00928-1

**CAUTION**

If gear oil is spilled, wipe off immediately and dispose according to the local regulations.

ENON00032-1

**Note**

If the gear oil color appears to be milky color, contact your dealer.

ENOM00086-A

**Propeller replacement**

ENOW00084-1

**WARNING**

- Do not install or remove propeller on the outboard motor with spark plug caps attached, shift in forward or reverse, main switch at other than "OFF", engine stop switch lock attached to the switch, and starter key attached, or engine could accidentally start leading to serious personal injury. Disconnecting battery cable is recommended (if equipped).
- The propeller edge is thin and sharp. Wear the gloves while installing or removing to protect your hands.

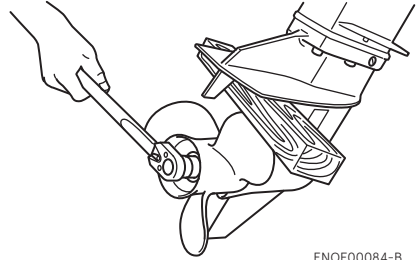
ENOW00086-1

**CAUTION**

- Do not install propeller without thrust holder, or propeller boss could be damaged.
- Do not reuse split pin.
- After installing split pin, spread bend both end of the pin apart to lock propeller in place.

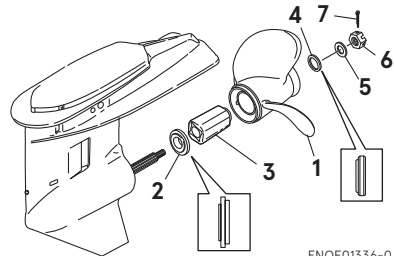
A worn-out or bent propeller will lower the motor's performance, and cause engine trouble.

1. Put a piece of wood block between propeller blade and anti-ventilation plate to hold propeller.



ENOF00084-B

2. Remove the split pin, propeller nut and washer.
3. Remove the propeller and thrust holder.
4. Apply waterproof grease to the propeller shaft before installing a new propeller.
5. Install the thrust holder, propeller, stopper, washer and propeller nut onto the shaft.



ENOF01336-0

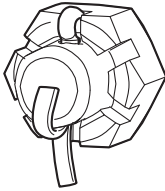
1. Propeller
2. Thrust holder
3. Bush
4. Stopper
5. Washer
6. Nut
7. Split pin

- Tighten the propeller nut to specified torque and align one of the grooves with propeller shaft hole.

Propeller nut torque:

**35 N·m (25 ft·lb, 3.5 kgf·m)**

- Install a new split pin into the nut hole and bend both ends of pin apart to lock propeller in place.



ENOF00084-E

ENOM00087-D

### Spark plugs replacement

ENOW00087-1

#### WARNING

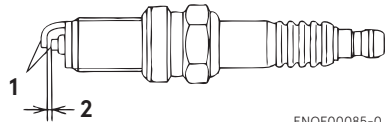
- Do not reuse spark plug, if the insulation is damaged or sparks can leak through crack, potentially leading to electric shock, explosion and/or fire.
- Do not touch spark plugs immediately after stopping engine as they will be hot and could cause severe burns if touched.

#### CAUTION

- Use only the recommended spark plugs. Spark plugs which have an different heat range may cause engine damage.
- Do not clean electrodes of iridium spark plug. If it is contaminated with carbon deposit or dirt, replace with a new one.
- Do not adjust the plug gasp, if it is out of specification, replace with a new one.

If the spark plug(s) is fouled, has carbon build up, or is worn, it should be replaced.

- Stop the engine.
- Remove the top cowl.
- Remove the spark plug caps.
- Remove the spark plugs by turning it counter-clockwise, using a 5/8" (16 mm) socket wrench and handle that are provided in the tool bag.
- Inspect the spark plug. Replace the spark plug with wear on electrode and if the insulators are cracked or chipped.
- Measure the spark plug electrode gap with a wire type feeler gauge. The gap should be 0.8-0.9 mm (0.031-0.035 in). If the gap is out of specification, replace the spark plug with a new one Use spark plug ; NGK LKR6E



ENOF00085-0

- Electrode
  - Spark gap (0.8-0.9 mm, 0.031-0.035 in)
- Install the spark plug and turn it carefully to avoid cross-threading.

ENOW00929-A

8. Tighten the spark plug to the specified torque.

ENON00028-2A

---

**Note**

- **Spark plug tightening torque:  
18 N·m (13 ft·lb) [1.8 kgf·m]**

If a torque-wrench is not available when you are installing a new spark plug, tighten it 1/4 to 1/2 a turn past finger-tight. If reusing a spark plug, tighten 1/12 a turn past finger tight. Have the spark plug adjustment to the correct torque as soon as possible with a torque-wrench.

---

ENOM00088-1A

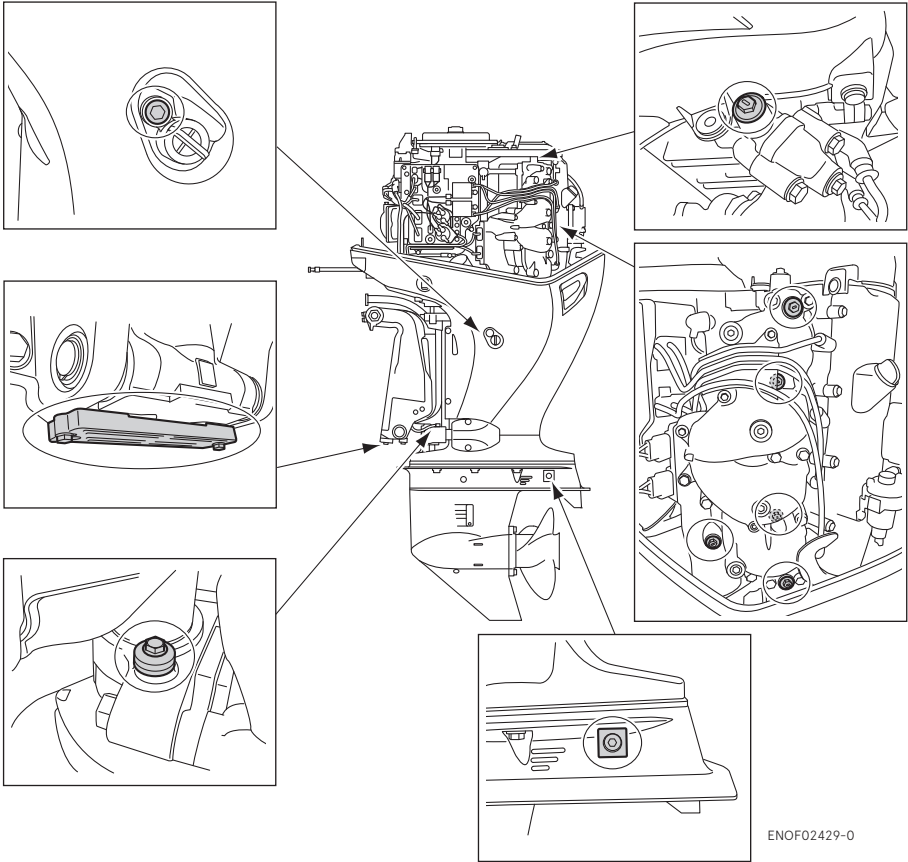
## Anode replacement

A sacrificial anode protects the outboard motor from galvanic corrosion. Anode is located on the gear case, cylinder etc.. When the anode is eroded more than 1/3 of original size, replace it.

ENON00029-1

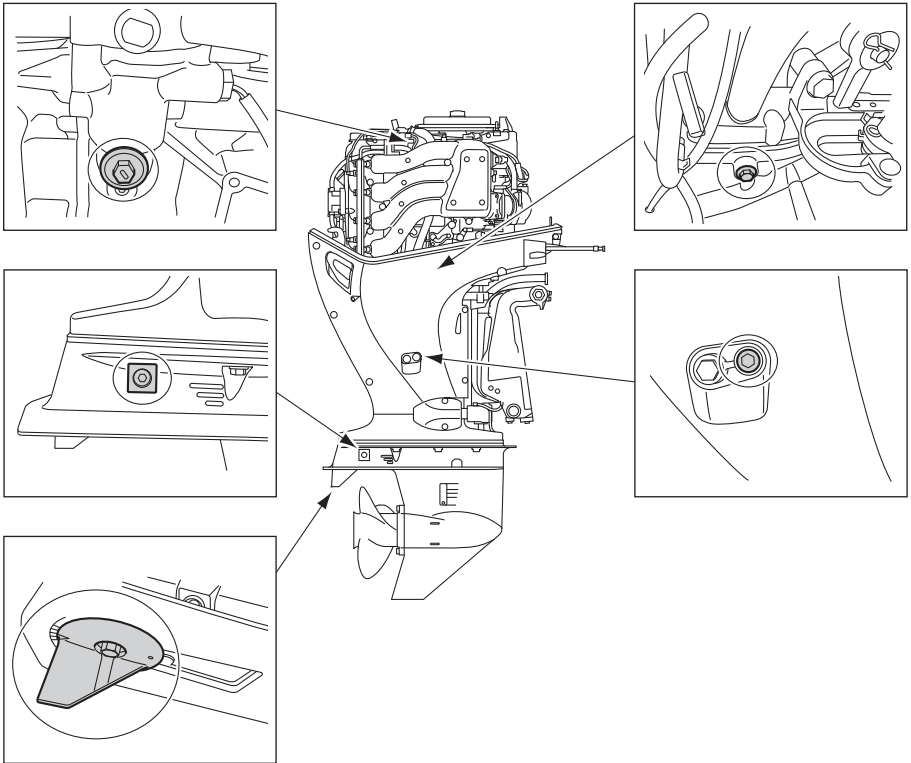
### Notes

- Never grease or paint the anode.
- At each inspection, re-tighten all the anode attaching bolts. Those bolts may loosen if the anodes are corroded.



ENOF02429-0



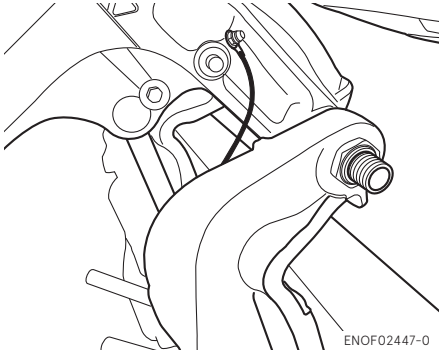


ENOM01827-0

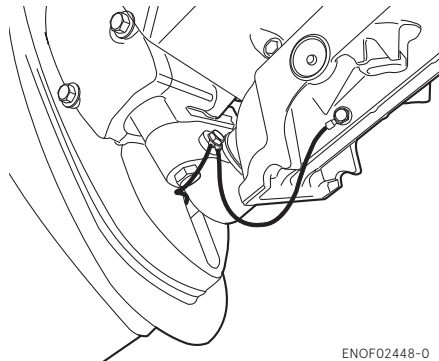
**Ground wire checking**

The ground wires described below are making electrically connect between moving parts and sacrificial anodes to prevent galvanic corrosion.

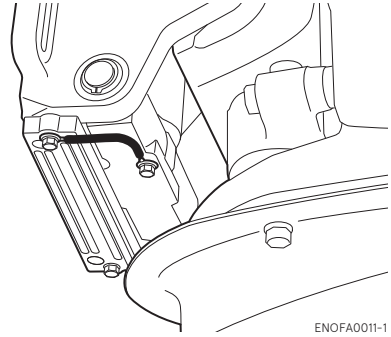
Inspect the wires and their terminals periodically. If there is any damage, replace the ground wire.



ENOF02447-0



ENOF02448-0



ENOF00011-1

ENOM01824-0

**Power Trim & Tilt fluid checking**

ENOW00088-0

**⚠ WARNING**

- Be sure that outboard motor is secured to transom or service stand, or accidental drop or fall of outboard motor could lead to severe personal injury.
- Be sure to lock outboard motor if it is tilted up, or accidental fall of outboard motor could lead to severe personal injury.
- Do not go under outboard motor tilted up and locked, or accidental fall of outboard motor could lead to severe personal injury.

ENOW00973-0

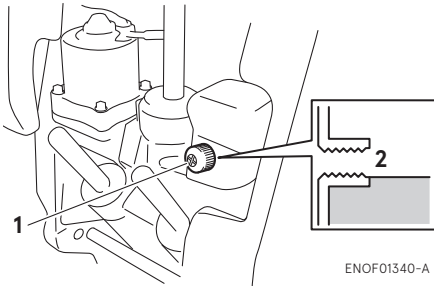
**⚠ CAUTION**

**Do not unscrew the filler cap with the outboard motor tilted down. Pressurized fluid in the reservoir tank may spurt out.**

Check the fluid level in the reservoir tank while the tank is kept in a vertical position.

1. Tilt the outboard motor up and lock the tilt with the tilt stopper.

- Remove the fluid cap by turning counter-clockwise, then check if the fluid level reaches the bottom line of the fill hole.



- Filler cap
- Fluid level

### Recommended fluid

Use automatic transmission fluid or equivalent.

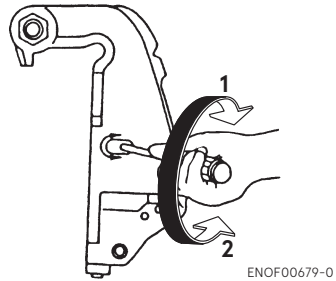
Recommended power trim & tilt fluid:

### ATF Dexron III

### Air purging from the Power Trim and Tilt unit.

Trapped air in the Power Trim & Tilt unit will cause poor tilting movement and noise.

- With the outboard motor installed on the boat, set the manual release valve to the Manual side, and tilt the outboard motor up/down manually 5-6 times.
- When done, close the valve by turning it clockwise.



- POWER
- MANUAL

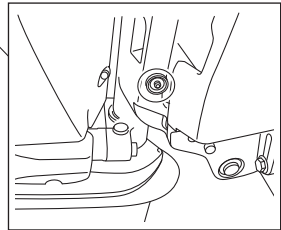
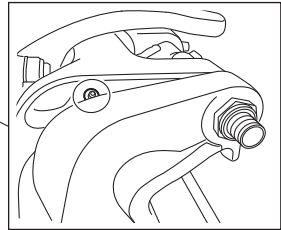
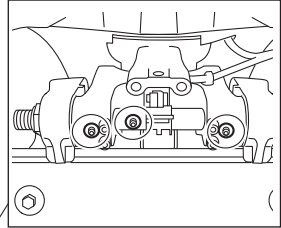
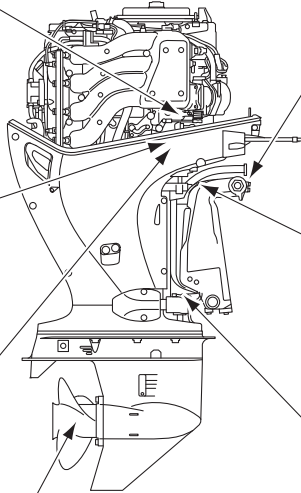
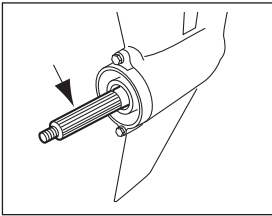
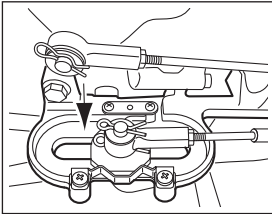
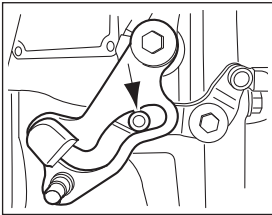
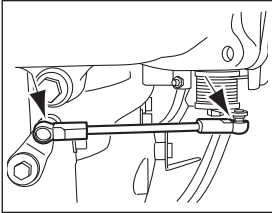
Manual relief valve specified torque:

**3 N·m (2.2 ft·lb, 0.3 kgf·m)**

ENOM00960-0

### Grease point

Apply waterproof grease to the parts shown below.



10

ENOM00100-A

### 3. Off-season storage

ENOW00934-0

#### WARNING

- **Be sure to disconnect fuel connector except when operating engine.**
- **Fuel leakage is a fire or explosion hazard, which can cause serious injury or death.**

ENOW00097-0

#### WARNING

**Be sure to use cloth to remove fuel remaining in the cowl and dispose of it in accordance with local fire prevention and environment protection regulations.**

ENOW00096-0

#### CAUTION

**Before servicing the motor for storage:**

- **Remove the battery cables.**
- **Remove the spark plug caps from the spark plugs.**
- **Do not run the motor out of the water.**

Before you put your outboard motor in storage, it is a good opportunity to have it serviced by your dealer.

Be sure to use fuel stabilizer while running the motor before storage. (See page 86)

ENOM00101-A

### Engine

1. Wash the engine exterior and flush the cooling water system thoroughly with fresh water. Drain the water completely.  
Wipe off any surface water with an oily rag.

2. Use a dry cloth to completely wipe off water and salt from the electrical components.

3. Drain all fuel from the fuel hoses, fuel pump, fuel filter (See page 75) and vapor separator (See page 86), and clean these parts.

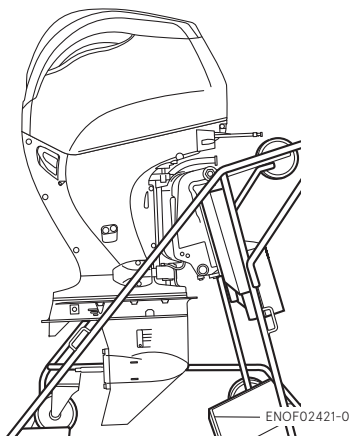
Keep in mind that if gasoline is kept in the vapor separator for a long time, gum and varnish will develop, causing the float valve to stick, restricting the fuel flow.

ENOW00930-1

#### WARNING

- **Be sure to remove stop switch lock to prevent the spark plug(s) from igniting.**
- **Put a cloth to spark plug hole and wipe up any spilled engine oil, when cranking the outboard motor.**

4. Change the engine oil (See page 72).
5. Change the gear oil in the gear case (See page 75).
6. Apply grease to grease point (See page 84).
7. Place the outboard motor in the vertical position under a dry condition.



ENOW00969-0

### CAUTION

When transporting or storing the outboard motor, it places only in a vertical position (normal running position).

ENOM00950-0

### Adding a fuel stabilizer

When adding a fuel stabilizer additive (commercially available), first fill the fuel tank with fresh fuel. If the fuel tank is only partially filled, air in the tank can cause the fuel to deteriorate during storage.

1. Before adding fuel stabilizer additive, drain the vapor separator (See page 86).
2. Follow the instructions on the label when adding the fuel stabilizer additive.
3. After adding the additive, let the outboard motor run in the water for 10 minutes to make sure any old fuel in the fuel system has been completely replaced by the fuel with additive.

4. Turn the engine OFF

ENON00945-0

### Note

Over time, oxidation of gasoline can form buildup of harmful solids called gums. Water and impurities in the fuel system can cause corrosion. To stabilize the fuel and prevent oxidation, gum buildup, and corrosion throughout the boating season, recommended to add a good fuel stabilizer to the fuel tank after each fill up.

ENOM00970-0

### Fuel system draining

ENOW00028-A

### WARNING

For details on handling fuel, contact an authorized dealer.

Fuel and fuel vapors are extremely flammable and can be explosive.

- If fuel is spilled, wipe it up immediately.
- Keep the fuel tank well away from sources of ignition, e.g. sparks or open flames
- Perform all work outdoors or in a well ventilated place.

ENOW00097-0

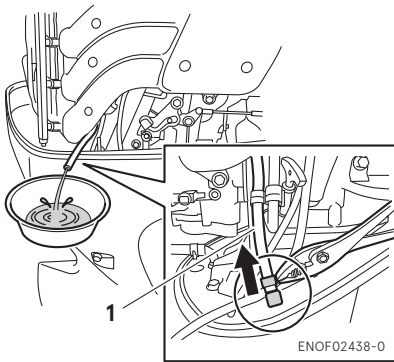
### WARNING

Be sure to use cloth to remove fuel remaining in the cowl and dispose of it in accordance with local fire prevention and environment protection regulations.

ENOM01824-0

1. Disconnect the fuel hose from the outboard motor.
2. Turn the top cowl hook levers to unlock, lift and remove the top cowl.
3. Pull out the vapor separator drain hose to outside the bottom cowl.
4. Place an appropriate fuel container under the drain hose end.

5. Remove the hose clip and the drain plug by plier to drain the fuel from the vapor separator.
6. When thoroughly drained, put back the drain plug and the hose clip securely.
7. Check the drained fuel for the presence of water or other contaminants. Consult your dealer, If either present. Service is required.



1. Drain hose

ENOM00102-0  
**Battery**

ENOW00931-A

**! WARNING**

- Place the battery away from any source of fire, sparks and open flames such as burners or welding equipment.
- Place the battery away from fuel tank. Accidental sparks of battery may cause explosion of fuel.

1. Disconnect the battery cables and be sure to remove the negative terminal first.
2. Wipe off any chemical deposits, dirt, or grease.
3. Apply grease to the battery terminals.

4. Charge the battery completely before storing it for the winter.
5. Recharge the battery once a month to prevent it from discharging and the electrolyte from deteriorating.
6. Store the battery in a dry place.

ENOM01825-0

**4. Pre-season check**

The following steps must be taken when first using the engine after off-season storage.

1. Check that the shift and throttle function properly. (Be sure to turn the propeller shaft when checking the shift function or else the shift linkage may be damaged.)
2. Check the electrolyte level, and measure the voltage and specific gravity of the battery.

Specific Gravity at 20°C	Terminal Voltage (V)	Charge Condition
1.120	10.5	Fully discharged
1.160	11.1	1/4 charged
1.210	11.7	1/2 charged
1.250	12	3/4 charged
1.280	13.2	Fully charged

3. Check that the battery is secure and the battery cables are properly installed.
4. Change the engine oil (See page 72).
5. Fill fuel tank completely.
6. Start the engine and warm up the engine for 3 minutes in the "NEUTRAL" position.
7. Run the engine for 5 minutes at the slowest speed.

- Run the engine for 10 minutes at half throttle. The oil used for storage inside the engine will be circulated out to assure optimum performance.

ENOM01811-0

## 5. Submerged outboard motor

ENOW00098-0

### **! CAUTION**

**Do not attempt to start submerged outboard motor immediately after it is recovered, or engine could be severely damaged.**

After taking your outboard motor out of the water, immediately take it to your dealer.

ENOM00106-1

## 6. Cold weather precautions

If you moor your boat in cold weather at temperatures below 0°C (32°F), water residue in water pump may freeze and may damage the pump, impeller, etc. To avoid, submerge the lower half of the outboard motor into the water.

ENOM00107-A

## 7. Striking underwater object

ENOW00935-0

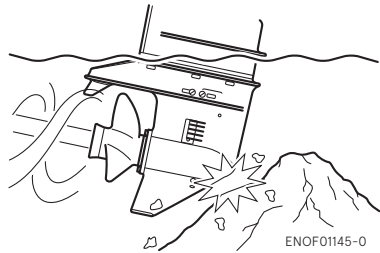
### **! CAUTION**

**Striking the sea bottom or an underwater object may severely damage the outboard motor.**

Follow the procedure below and consult a dealer as soon as possible.

- Stop the engine immediately.

- Check the control system, gear case, boat transom etc.
- Return to the nearest harbor slowly and carefully.
- Consult a dealer check the outboard motor before operation again.



ENOM00121-0

## 8. Operation with multiple outboard motors

When operating the outboard motors in reverse at more than the lowest speed, be sure that all engines are running. If any engine has stopped, be sure to tilt the outboard motor up and keep its propeller out of the water. Otherwise, water could enter the engine and cause damage to it.









# ACCESSORIES KIT

ENOM00109-1

The followings are a list of the tools and spare parts provided with the motor.

Items		Quantity	Remark
Service tools *Standard rotation model only	Tool bag	1	
	Pliers	1	
	Socket wrench	1	10 × 13 mm
	Socket wrench	1	16 mm (spark plug)
	Socket wrench handle	1	
	Screwdrivers	1	Cross-and straight-point
	Screwdriver handle	1	
Spare parts	Split pin	1	
	Stop switch lock	1	
Parts packaged with engine	Primer bulb (without connectors)	1 set	For international models
	Band	1	
	Rigging bolt set		
	Bolt	4	M12P1.25 × 105 mm
	Washer	4	13-34-3
	Washer	4	M12
	Nylon locking nut	4	M12P1.25
	Hose joint	1	For Flushing
	Cable joint set		
	Cable joint	2	
	Washer	2	8.5-18-1.6
	Snap pin	2	
	Cable holder set		
	Cable holder	1	
	Bolt	1	
	Band	1	
Drag link assy.	1		

## PROPELLER TABLE

ENOM00111-0

- Propeller selection is important to optimize outboard motor performance. The type and size of propellers have a direct impact on acceleration, cruising performance such as fuel efficiency, and engine life.
- A propeller must be selected so that the engine RPM measured at wide open throttle while cruising is within the recommended range.
- In general, a large pitch propeller is suitable for smaller operating load, and small pitch propeller is suitable for larger operating load. If the boat load varies significantly, select a propeller that operates within the proper range for the maximum load. However, please note that it is necessary to have rpm setting within the recommended engine speed range for the lighter boat load.
- Consult your dealer for selecting optional propeller.
- Counter rotation model requires a propeller intended for counter rotation use. Consult your dealer to select a propeller for counter rotation models.

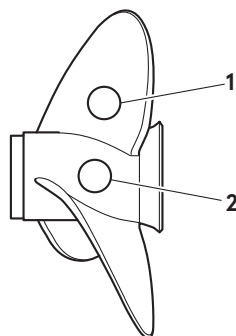
Load	Propeller Mark	Number of Blades	Rotation	Propeller Size (Diameter × Pitch)	
				inch	mm
Light   Heavy	13.2 × 21	3	R	13.2 × 21	335 × 533
	13.2 × 19	3	R	13.2 × 19	335 × 483
	13.25 × 17	3	R	13.25 × 17	337 × 432
	13.5 × 15	3	R	13.5 × 15	343 × 381
	13.75 × 13	3	R	13.75 × 13	349 × 330
	14 × 11	3	R	14 × 11	356 × 279
	14 × 9	3	R	14 × 9	359 × 229

\*Related to equipped propeller

In certain models, the standard propeller is already equipped on your outboard motor. Except for propeller came with outboard motor, propellers listed above are optional. Please consult your dealer to select the best propeller for your boat if the standard propeller does not match.

Full Throttle Operating Range  
MFS 75-140A: 5150 - 5850 min<sup>-1</sup> (rpm)

Propeller Mark Location  
Mark is on No.2 in the figure.



ENOF0001-1



# OWNER'S MANUAL

EN

MFS 75A  
MFS 90A  
MFS 100A  
MFS 115A  
MFS 140A

## TOHATSU CORPORATION

5-4, Azusawa 3-Chome, Itabashi-Ku  
Tokyo 174-0051, Japan  
Tel: +81-3-3966-3117 Fax: +81-3-3966-2951  
[www.tohatsu.com](http://www.tohatsu.com)

